

1/10 4WD ELECTRIC POWERED RC CAR

INSTRUCTION BOOK AND COMPONENT LISTING



RH1065 SMASH EBD

RH1066 SMASH EBL

RH1067 SPRINT EBD

RH1068 SPRINT EBL



2.4GHz



Water proof



4Wheel Drive



Metal Diff Gears



Oil Filled Shocks

VRX
Racing

V12.11.24

congratulations on your purchase of the VRX Racing 1/10 4WD electric cars
 This 1/10th scale model has been factory assembled and all electrics installed and set up to make it the easiest possible introduction to the sport of driving RC cars.

WARNING:Read the ENTIRE instruction manual to become familiar with the features of the product before operating Failure to operate the product correctly can result in damage to the product, personal property and serious injury. This is not a toy and must be operated with caution and common sense. Failure to operate this product in a safe and responsible manner could result in damage, injury or damage to other property. This product is not intended for use by children without direct adult supervision. It is essential to read and follow all the instructions and warnings in the manual, prior to assembly, set-up or use, in order to operate correctly and avoid damage and serious injury

Safety Precautions and Warnings

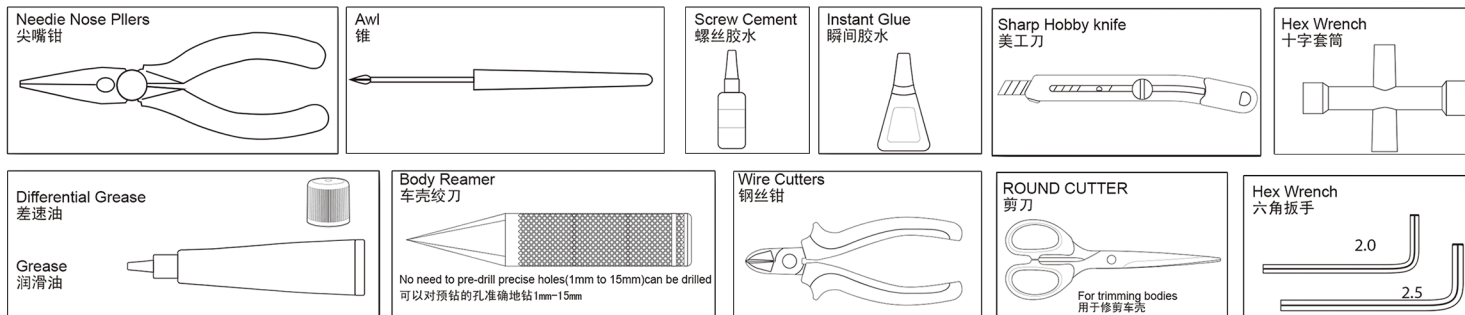
You are responsible for operating this model such that it does not endanger yourself and others, or result in damage to the product or the property of others. This model is controlled by a radio which is possibly subject to interference which can cause momentary loss of control so it is advisable to always keep a safe distance to avoid collisions and injury. Age Recommendation: 14 years or over. This is not a toy. This product is not intended for use by children without direct adult supervision.

Carefully follow these directions and warnings, plus those any additional equipment associated with the use of this model, chargers, ESC and motors, radio etc.

- Never operate your model with low transmitter batteries.
- Always operate your model in an open area away from cars, traffic or people
- Never operate the model in the street or in populated areas.
- Always keep the vehicles in direct line of sight, you cannot control what you cannot see!
- Keep all chemicals, small parts and anything electrical out of the reach of the children.
- Avoid water exposure, moisture causes damage to electronics and may result in the loss of control or permanent damage.
- Avoid injury from high speed rotating parts, gears and axles etc.
- Novices should seek advice from more experienced people to operate the model correctly and meet its performance potential.
- Exercise caution when using tools and sharp instruments.
- Do not put fingers or any objects inside rotating or moving parts.
- Take care when carrying out repairs or maintenance as some parts may be sharp.
- Do Not touch equipment such as motor electronic speed control and battery, immediately after using your model because they can generate high temperatures.
- Always turn on your transmitter before you turn on the receiver in the car Always turn off the receiver before turning your transmitter off.
- Keep the wheels of the model off the ground, keep your hands away from the wheels when checking the operation of the radio equipment.
- Prolong motor life by preventing overheat conditions. Undue motor wear can result from frequent turns, rapid change of direction forwards/backwards, continuous stop/starts, pushing/pulling objects, driving in deep sand and tall grass, or driving continuously up hill.

Required equipment for operation

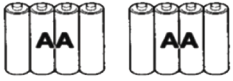
1. Tools required for building and maintenance:



WARNING!

Do not use a power screw driver to install screws into nylon or plastic materials. The fast locking may heat up the screws being installed that may break the molded parts or strip the threads during installation.

2. Additional items needed for operation:



AA Alkaline batteries for transmitter

IMPORTANT!

Check that all screws and nuts are tight before each use.

EBL VERSION

Charging/installing the Battery.

Always store your model with the battery pack unplugged and removed. Always charge your battery away from the vehicle.

WARNING! NEVER LEAVE THE BATTERY UNATTENDED WHILE ON CHARGE

The supplied charger can charge either 2s or 3s (cell number) Lipo batteries. The supplied battery is a 2s ensure you plug it into the correct 2s balance port. When the charger is connected to the mains powers the power LED will turn green. Once you connect your balance connector to the charge the status LED will turn red indicating that charging is in progress. Once the battery is fully charged the status LED will turn green. If you experience the LED blinking red then there is an error with either the battery or charger.

when charging a completely discharged battery, the charger can become hot to touch. NEVER LEAVE THE BATTERY CHARGE UNATTENDED. Always disconnect the charger from the mains supply and the battery pack when not in use.



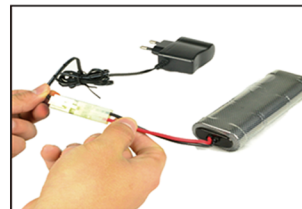
To install a charged battery, firstly remove the body shell and insert the battery into the battery case, then fasten the two Velcro straps to fix the battery stably. When connecting battery and turning car on, ensure it is off ground with wheels away from objects.



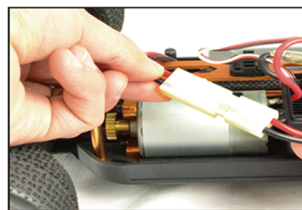
EBD VERSION

Charging/installing the Battery.

Always store your model with the battery pack unplugged and removed. Always charge your battery away from the vehicle. The included 500mAh mains charger will take approx 4 hours to charge a fully charged if it becomes warm to the mains supply and the battery pack when not in use. Keep children away from charger and battery during the charging process.



To install a charged battery, firstly remove the body shell and insert the battery into the battery case, then fasten the two Velcro straps to fix the battery stably. When connecting battery and turning car on, ensure it is off ground with wheels away from objects.



Notes on Battery use:

Always allow the battery cool after use, before recharging.

Always inspect the battery before charging.

Any bare wires, split heat shrink or leakage is a sure sign of abuse.

Never attempt to charge dead or damaged batteries.

Do not disassemble the battery or cut the connector wires.

If the battery connector, battery case or cable insulation get hot enough to melt or split there is most likely a serious problem with your model, battery wires or speed controller, Find and correct the problem before installing another charged battery pack.

NEVER charge the battery unattended in case of overcharging, you need to be able to monitor the battery during charging.

Charge away from flammable objects and on a non-flammable surface in case the battery becomes too hot.

Getting Started

Refer to 2.4ghz binding manual for radio set-up.

Switch on transmitter

Hold vehicle clear of the ground, connect battery pack and switch on receiver.

Test the transmitter to check control of the vehicle with wheels off the ground.

Start driving slowly and if the vehicle of the vehicle with wheels off the ground.

For the very first run use the throttle gently, to help the driver become accustomed to the vehicles behaviour and controls.

Although this vehicle features waterproof electronics they are not designed to be submerged in water.

Potential damage can still occur to vehicles components if you do so.

After Run.

Switch off the receiver power, switch off the transmitter. Disconnect the battery and remove it from the vehicle, allow it to cool before recharging. If you have a second charged battery all ready to use, still allow the vehicle to cool slightly before continuing.

Regular maintenance.

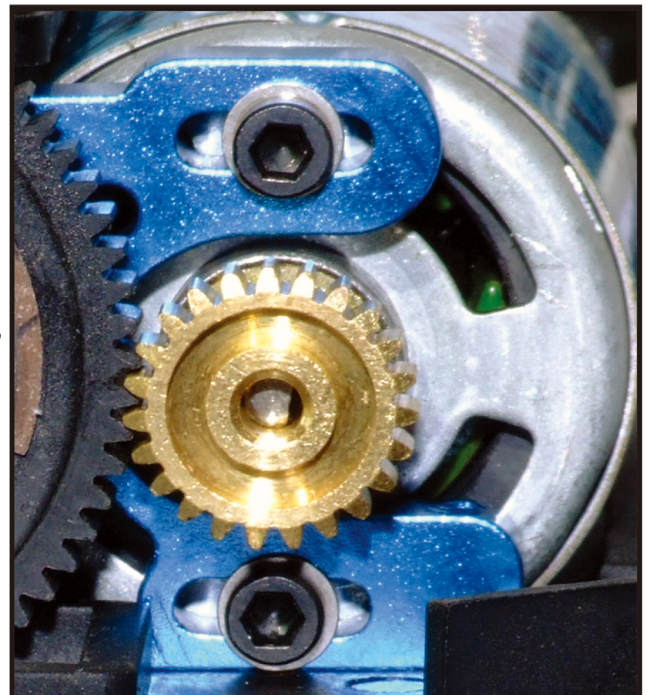
Frequently check the whole vehicle for loose or missing fixings. Use thread lock on any replacement screws into metal threads.

Frequently check rotating parts are free from grass, string etc. that might bind their motion and over stress the motor or speed controller. Remove the wheels occasionally and check behind the mounting hex for obstructions or anything that might have been wrapped around the axle and caused extra drag.

Check the gear mesh frequently and remove any stones or from gear teeth to prevent premature wear and damage. If the motor moves, or is removed for maintenance/exchange, the gear mesh will need to be set. Simply slacken the motor retaining screws and adjust the motor until there is just discernable backlash between pinion and spur teeth. If the gear is too tight or too loose the gears will be noisy and could be damaged.

Shock absorbers will wear prematurely if used in dirty dusty conditions.

Replace oil and seals as required to keep a smooth dampening action.



Trouble shooting guide.

Short Runtime: Battery damaged/not Charged.	Sluggish Action: Motor damaged. Bind in drive train.	Motor/ESC overheat: Over-gearred Binding transmission.	Motor spins but vehicle refuses to move: Gears damaged.	Poor Range or fails to operate: Transmitter batteries low.
Motor dirty or brushes worn. Drivetrain binding.	Battery running low on power.	Seized axle bearing. Motor binding	Gears loose on shaft. Magnets debonded from motor armature. Slipper clutch too loose. Drive shaft broken or missing.	Vehicle Battery Low. Transmitter switched off. Transmitter/receiver aerial not extended. ESC switched off or battery not connected. Loose connectors/wires. 2.4ghz binding with-receiver lost

LIPO BATTERY-USER SAFETY AND HANDLING INSTRUCTIONS.

Read all safety instructions before charging or using your batteries for the first time. Lipo batteries require completely different charging and care than Nicd and NIMH batteries. Misuse can result in fire, personal injury and/or damage to property. The buyer assumes all Liability and risk associated with the use of Lithium-Polymer (Li-Po) batteries. Immediately return the battery, unused, if you do not agree with these terms.

General guidelines and warnings:

1. Use a Lithium Polymer specific chargers only! Do not use a Nicd or NiMH charger.
2. NEVER charge unattended. Always charge in safety sack or metal tin with lid away from other flammable materials.
3. During the charge process watch for swollen or ballooning cells. If this happens immediately disconnect the charger and move the battery to a fire proof place for 15 minutes. Do not attempt to charge again.
4. A short circuit can cause a rapid discharge of high currents. Avoid short circuits, and be aware of short circuits on jewelery.
5. Any Lithium Polymer battery involved in a crash should be removed and observed in a fireproof space for 15 minutes before continuing to use or charge the battery.
6. If rewiring the battery pack, rewire the leads one at a time. Do not cut both leads. Do not short circuit on tools.
7. Do not expose battery packs to direct sunlight for extended periods.
8. Do not attempt to tamper with or open the Lipo Hardcase. The case is protection against possible battery swelling

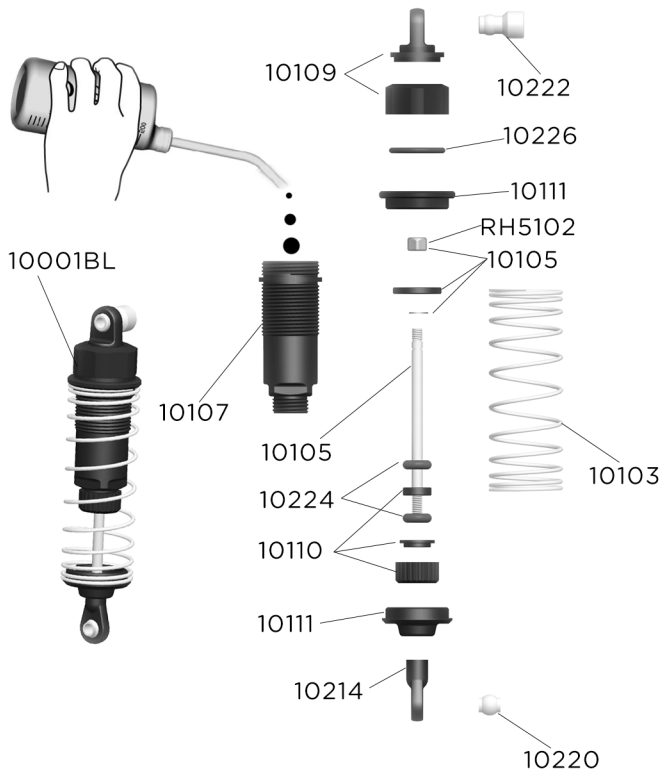
Before charging:

Visually inspect the pack checking for damaged leads, connectors, cracked heat shrink covering, swelling or other abnormalities. Do not charge if the pack is damaged.

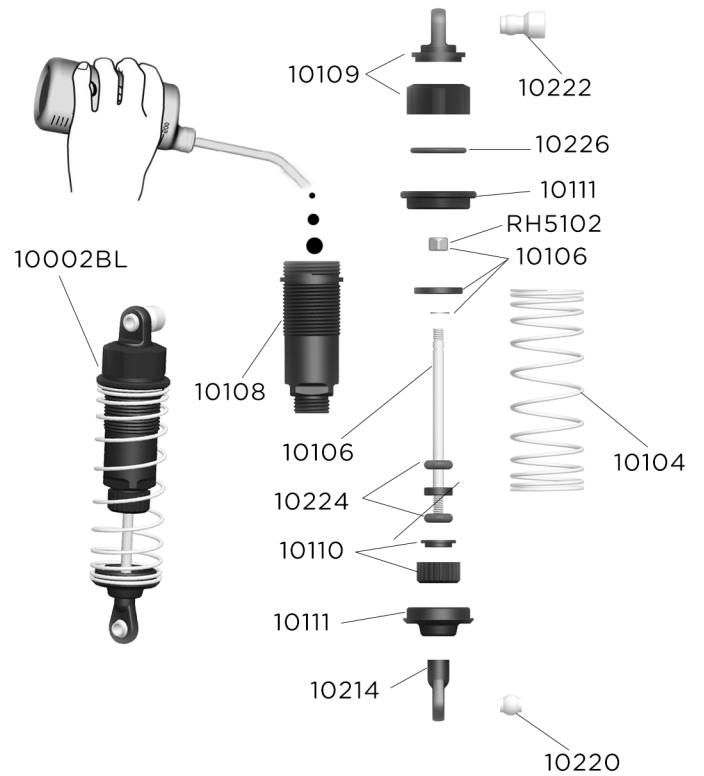
Charging process:

1. NEVER charge unattended.
2. Charge away from flammable materials and inside a Lipo safe sack or metal tin with lid.
3. Allow battery to cool before charging.
4. Use the battery label for setting charger call count and voltage.
5. Do not exceed 5C MAX charge rate. (Example, charge a 1000mAh pack at 5A MAX) If disposing of a Lipo battery proceed as follows:
Submerge the battery into a container filled with about 10 litres of salt water (one cup of salt in 10L). Leave the battery submerged for 2 weeks, this will slowly and safely discharge the battery until the voltage has dropped to zero volts which eliminates the risk of any chemical reaction. It can then be disposed off in the general waste collection.

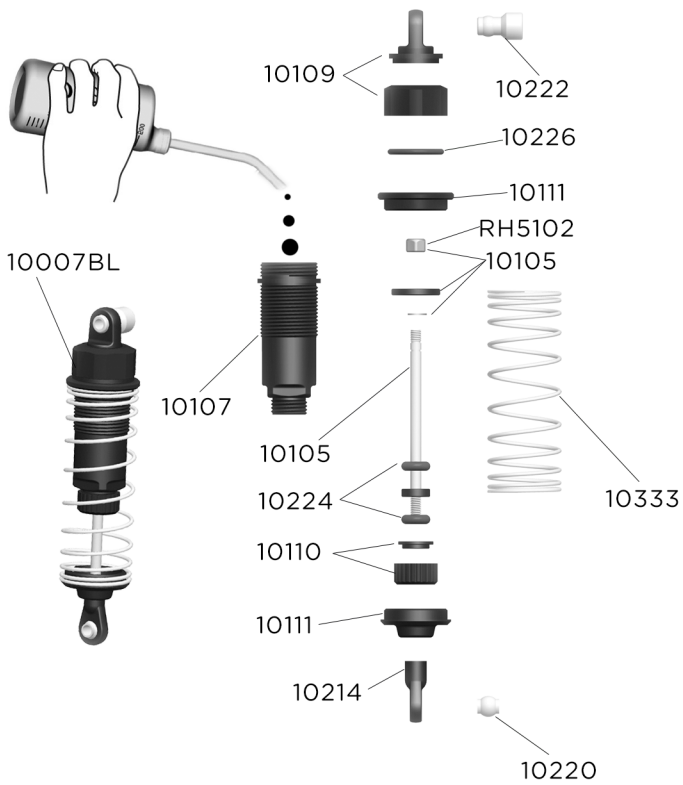
TRUGGY FRONT SHOCKS



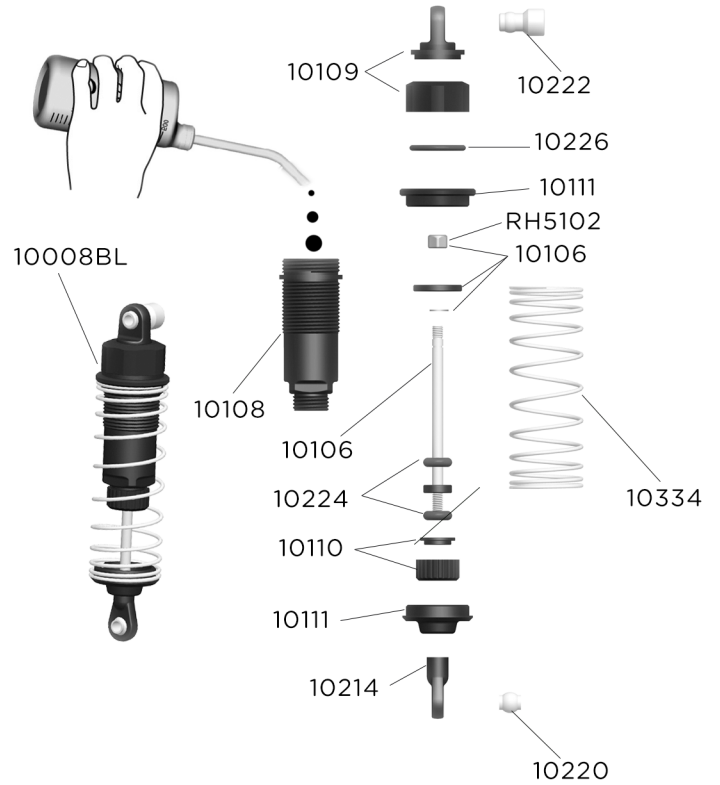
TRUGGY REAR SHOCKS



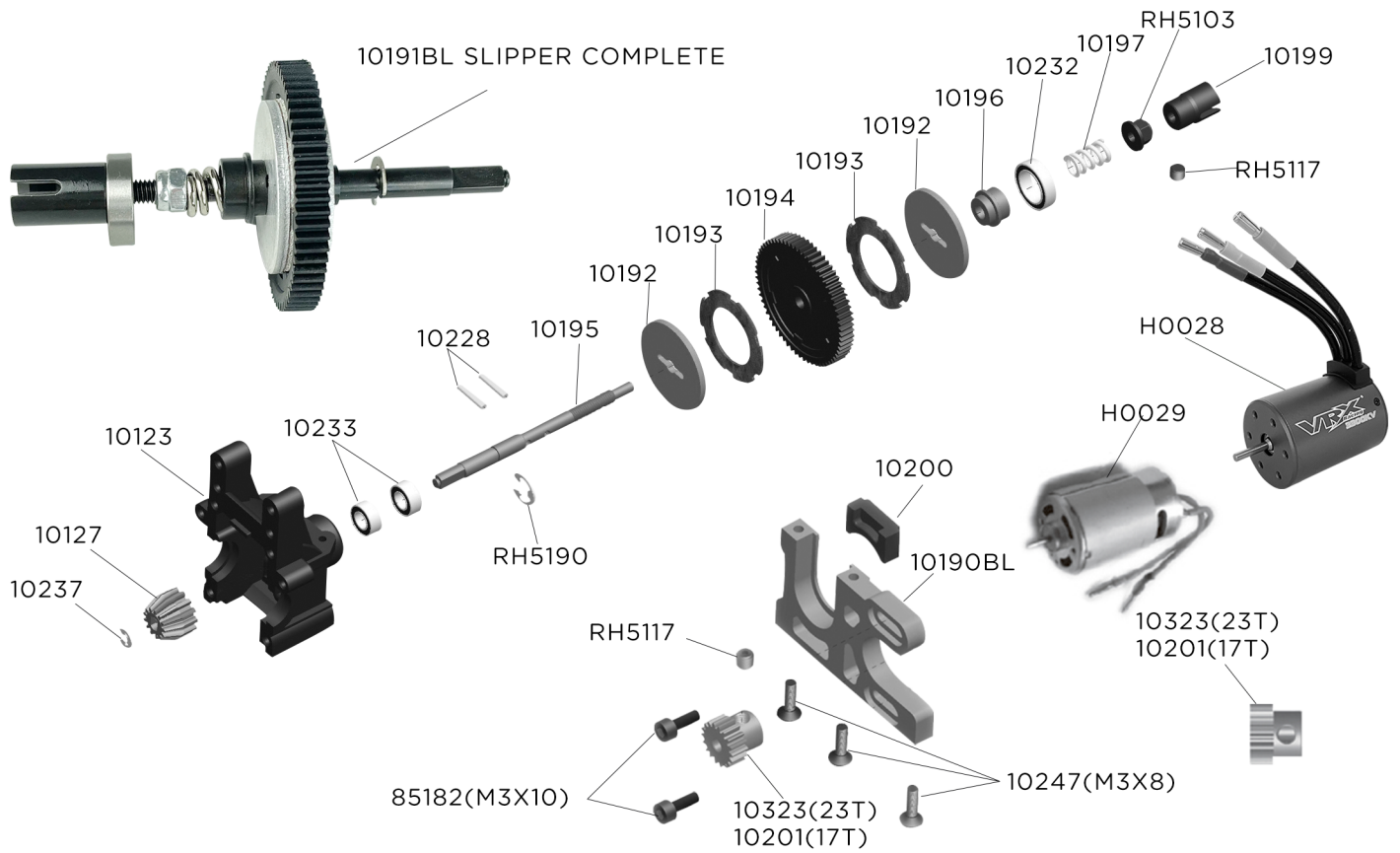
BUGGY FRONT SHOCKS



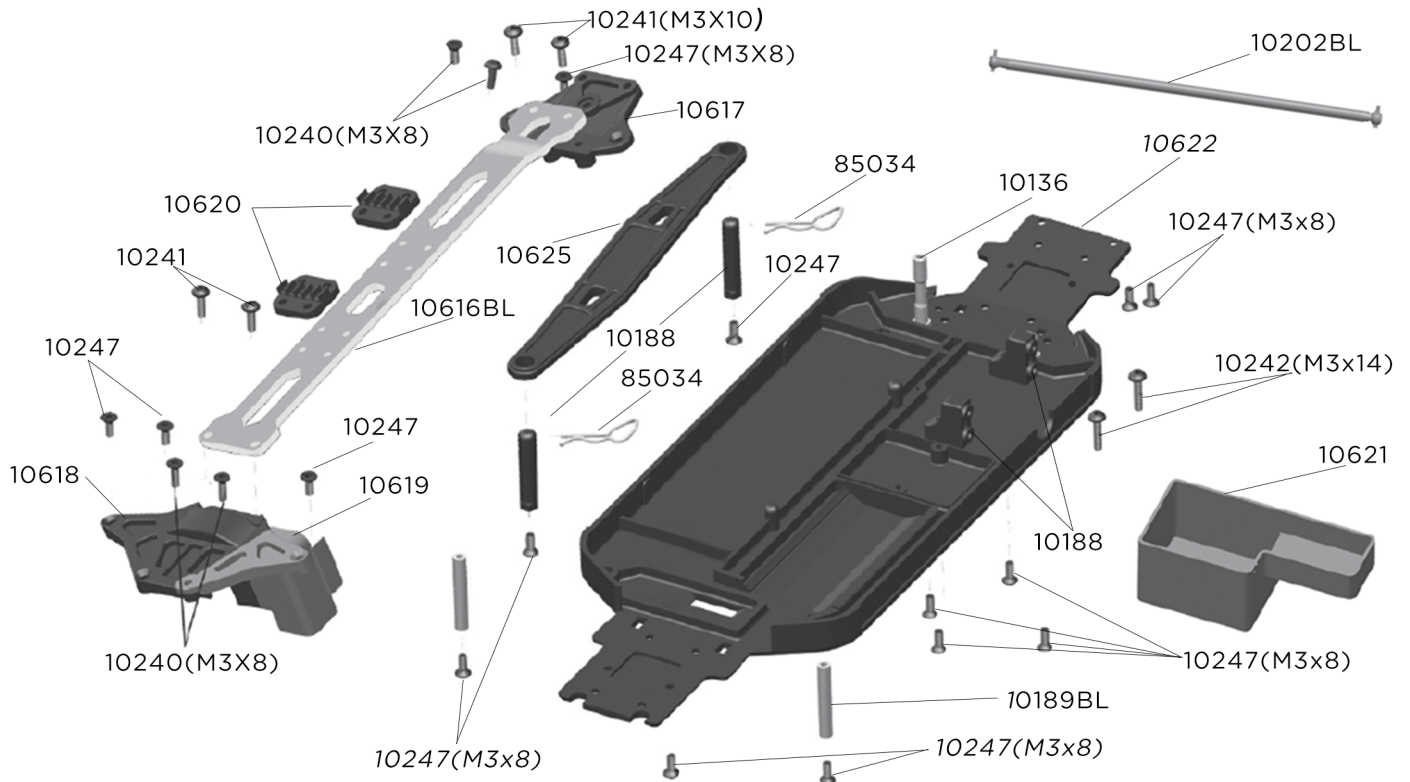
BUGGY REAR SHOCKS



MOTOR ASSEMBLY



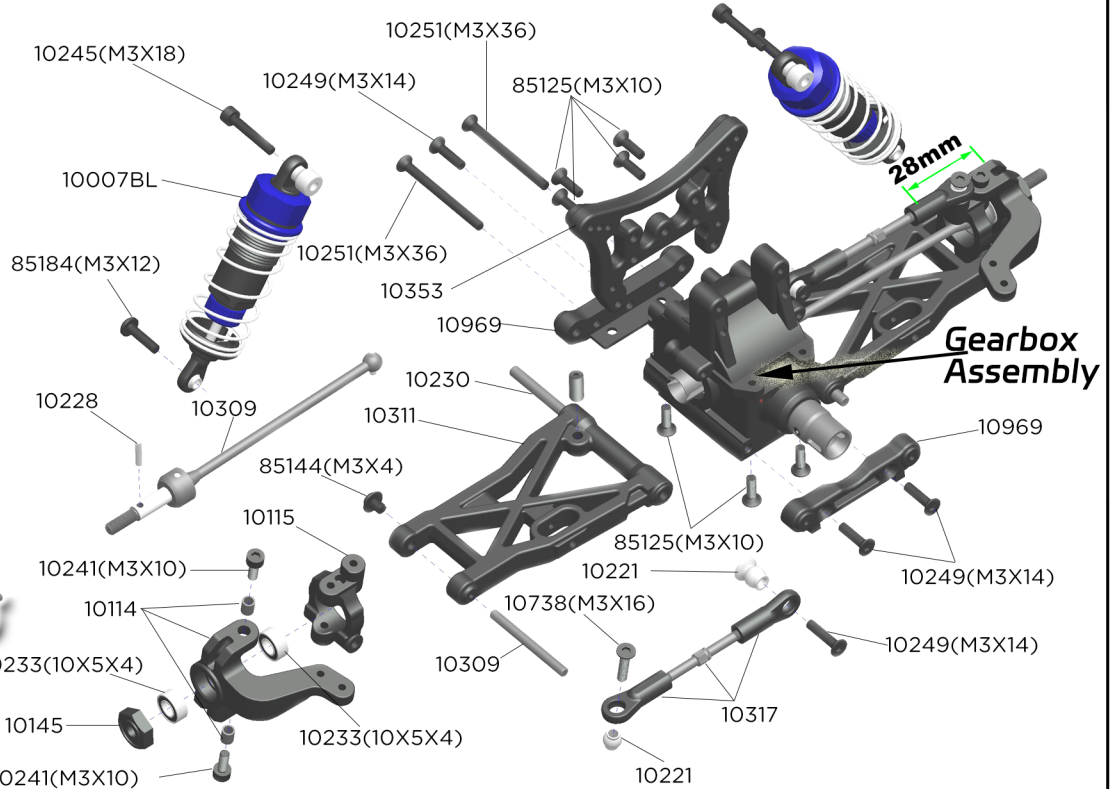
CENTRAL CHASSIS ASSEMBLY



FRONT ASSEMBLY (BUGGY)

BOM

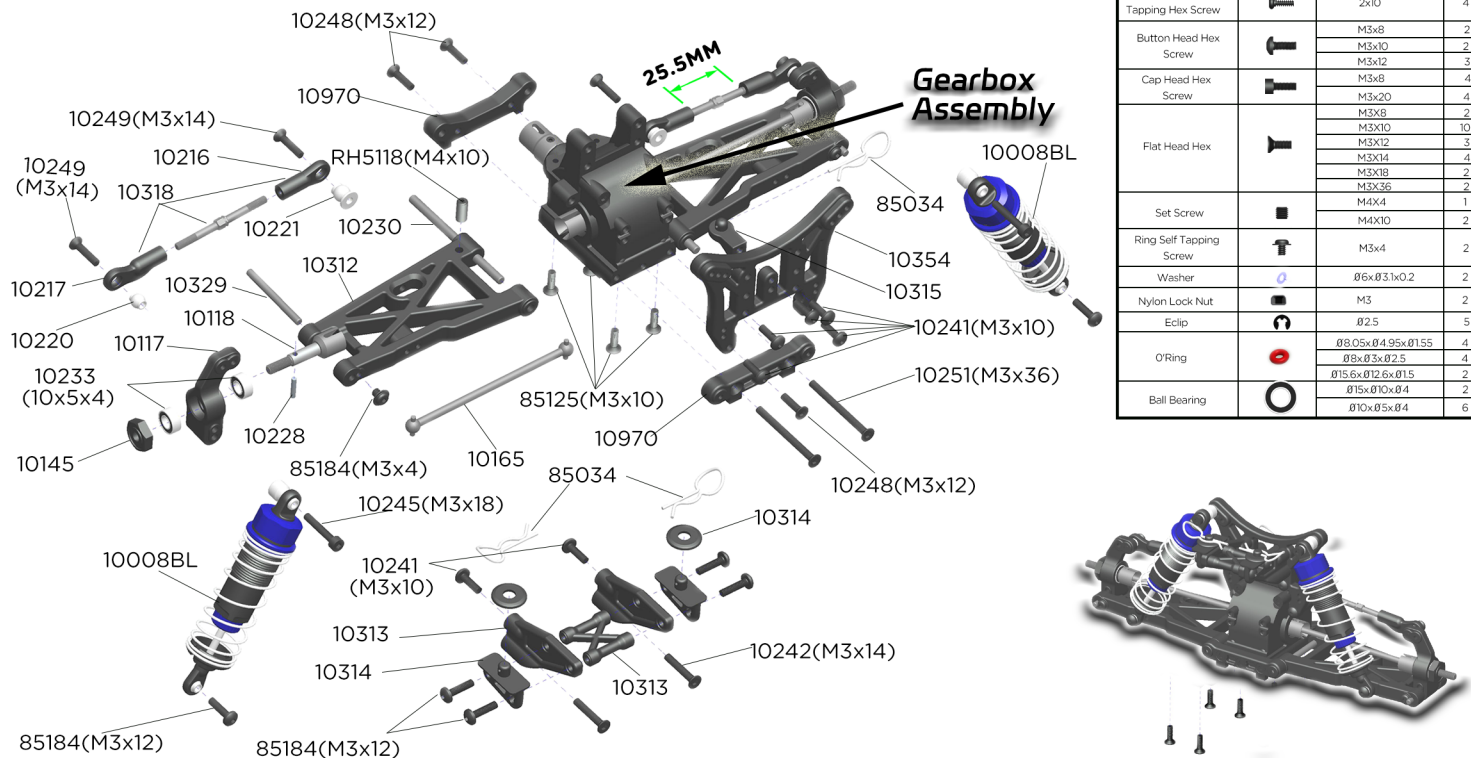
TYPE	ICON	SPEC	QTY
Round Head Self Tapping Hex Screw		2x10	4
Button Head Hex Screw		M3x8	2
		M3x10	2
		M3x12	3
Cap Head Hex Screw		M3x8	4
		M3x20	4
Flat Head Hex		M3x8	2
		M3x10	10
		M3x12	3
		M3x14	4
		M3x18	2
		M3x36	2
Set Screw		M4x4	1
Ring Self Tapping Screw		M3x4	2
Washer		Ø6xØ3.1x0.2	2
Nylon Lock Nut		M3	2
Eclip		Ø2.5	5
O'Ring		Ø8.05xØ4.95xØ1.55	4
		Ø8xØ3xØ2.5	4
		Ø15.6xØ12.6xØ1.5	2
		Ø15xØ10xØ4	2
Ball Bearing		Ø10xØ5xØ4	6



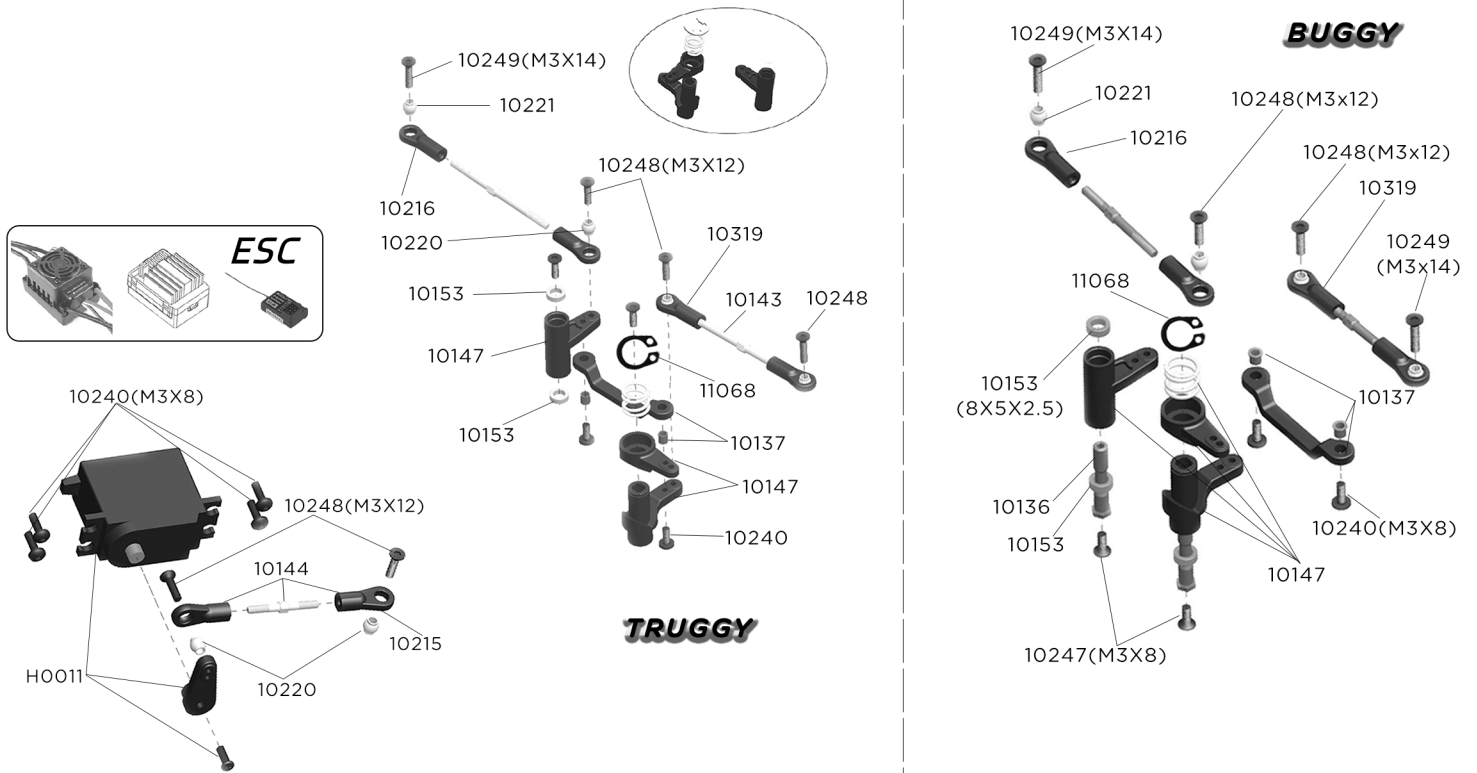
REAR ASSEMBLY (BUGGY)

BOM

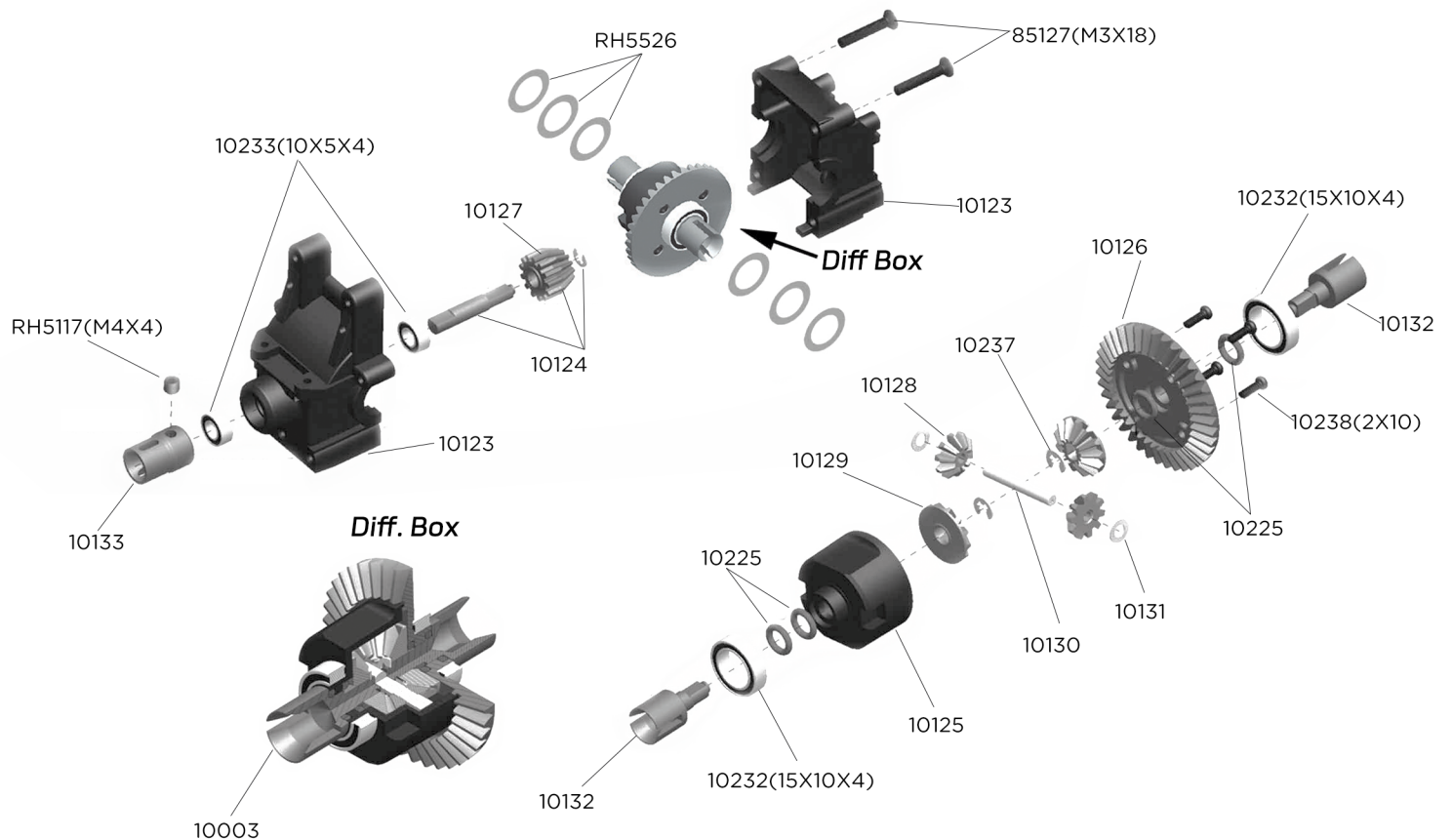
TYPE	ICON	SPEC	QTY
Round Head Self Tapping Hex Screw		2x10	4
Button Head Hex Screw		M3x8	2
		M3x10	2
		M3x12	3
Cap Head Hex Screw		M3x8	4
		M3x20	4
Flat Head Hex		M3x8	2
		M3x10	10
		M3x12	3
		M3x14	4
		M3x18	2
		M3x36	2
Set Screw		M4x4	1
Ring Self Tapping Screw		M3x4	2
Washer		Ø6xØ3.1x0.2	2
Nylon Lock Nut		M3	2
Eclip		Ø2.5	5
O'Ring		Ø8.05xØ4.95xØ1.55	4
		Ø8xØ3xØ2.5	4
		Ø15.6xØ12.6xØ1.5	2
		Ø15xØ10xØ4	2
Ball Bearing		Ø10xØ5xØ4	6



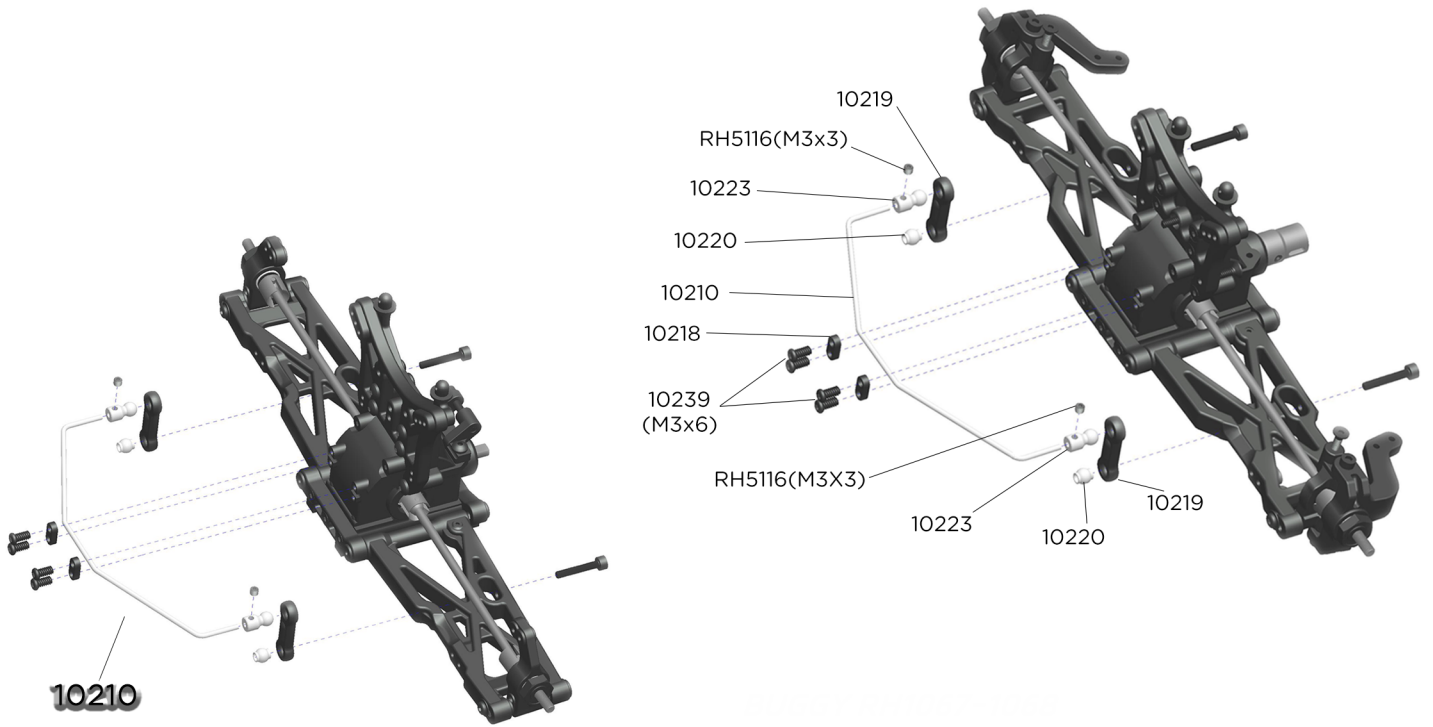
STEERING ASSEMBLY



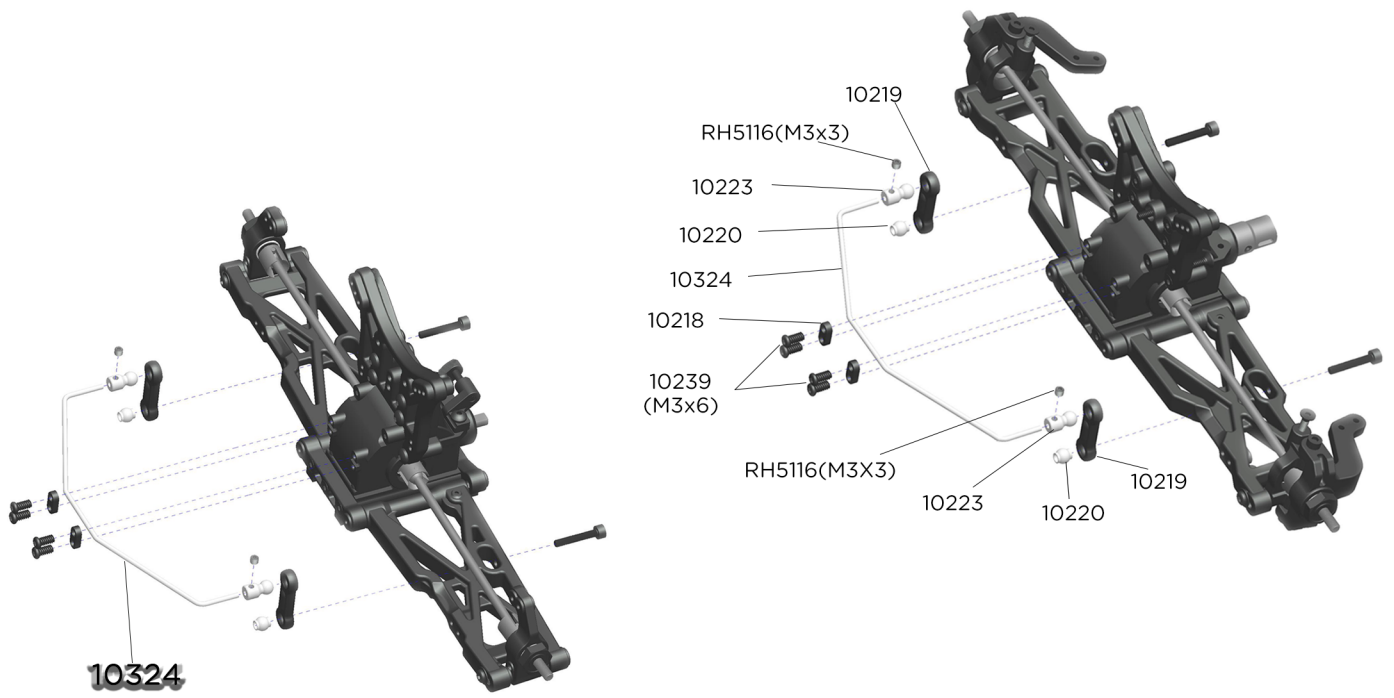
GEARBOX ASSEMBLY



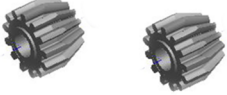
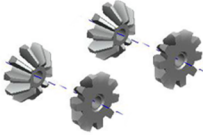
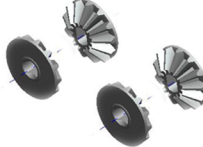

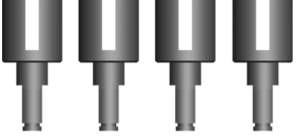


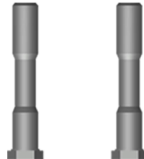


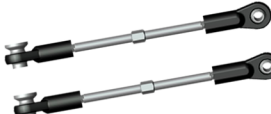









TRUGGY SWAY BAR #RH1065-1066





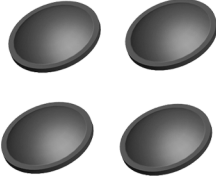


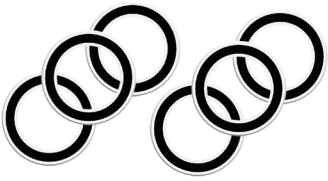
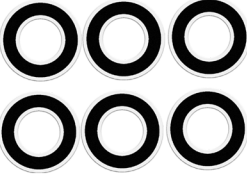
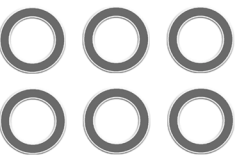












BUGGY SWAY BAR #RH1067-1068



<p>Front Shocks 2 Pcs</p> <p>10007BL BUGGY:RH1067/RH1068 10001BL TRUGGY:RH1065/RH1066</p>	<p>Rear Shocks 2 Pcs</p> <p>10008BL BUGGY:RH1067/RH1068 10002BL TRUGGY:RH1065 /RH1066</p>	<p>10003-Diff Gearbox Set 1 Set</p> <p>BUGGY:RH1067/RH1068 TRUGGY:RH1065 /RH1066</p>	<p>Front Shock Tower 1 Pc</p> <p>10353 BUGGY:RH1067/RH1068 10101 TRUGGY:RH1065 /RH1066</p>
<p>Rear Shock Tower 1 Pc</p> <p>10354 BUGGY:RH1067/RH1068 10102 TRUGGY:RH1065 /RH1066</p>	<p>10109-Shock Upper Cap 2 Sets</p> <p>BUGGY:RH1067/RH1068 TRUGGY:RH1065 /RH1066</p>	<p>10110-Shock Lower Caps 2 Sets</p> <p>BUGGY:RH1067/RH1068 TRUGGY:RH1065 /RH1066</p>	<p>Front Lower Susp.Arm 2 Pc</p> <p>10311-BUGGY:RH1067/RH1068 10211-TRUGGY:RH1065 /RH1066</p>
<p>Rear Lower Susp.Arm 2 Pc</p> <p>10312-BUGGY:RH1067/RH1068 10113-TRUGGY:RH1065 /RH1066</p>	<p>10114-Steering Knuckle Arm 1 Set</p> <p>BUGGY:RH1067/RH1068 TRUGGY:RH1065 /RH1066</p>	<p>10115-Uprights 2 Pc</p> <p>BUGGY:RH1067/RH1068 TRUGGY:RH1065 /RH1066</p>	<p>Front CVD 2 Pc</p> <p>10309-BUGGY:RH1067/RH1068 10116-TRUGGY:RH1065 /RH1066</p>
<p>10117-Rear Hub Carrier 2 Pc</p> <p>BUGGY:RH1067/RH1068 TRUGGY:RH1065 /RH1066</p>	<p>10118-Rear Drive Shaft 2 Pc</p> <p>BUGGY:RH1067/RH1068 TRUGGY:RH1065 /RH1066</p>	<p>10119-Rear Dogbones 2 Pc</p> <p>10165 BUGGY:RH1067/RH1068 10119TRUGGY:RH1065 /RH1066</p>	<p>13091-Bumper 1 Set</p> <p>TRUGGY:RH1065 /RH1066</p>
<p>10123-Gearbox Housing Set 2 Pcs</p> <p>BUGGY:RH1067/RH1068 TRUGGY:RH1065 /RH1066</p>	<p>10124-Diff.Drive Gear W/Pin 2 Sets</p> <p>13T BUGGY:RH1067/RH1068 TRUGGY:RH1065 /RH1066</p>	<p>10125-Diff Case 2 Pcs</p> <p>BUGGY:RH1067/RH1068 TRUGGY:RH1065 /RH1066</p>	<p>10126-Diff Drive Spur Gear 2 Pcs</p> <p>BUGGY:RH1067/RH1068 TRUGGY:RH1065 /RH1066</p>

<p>10127-Diff Drive Gear 2 Pcs</p>	<p>10128-Diff Bevel Gear S. 4 Pcs</p>	<p>10129-Diff Bevel Gevel B. 4 Pcs</p>	<p>10131-Washer 6 Pcs</p>
 <p>BUGGY:RH1067 / RH1068 TRUGGY:RH1065 / RH1066</p>	 <p>BUGGY:RH1067 / RH1068 TRUGGY:RH1065 / RH1066</p>	 <p>BUGGY:RH1067 / RH1068 TRUGGY:RH1065 / RH1066</p>	 <p>BUGGY:RH1067 / RH1068 TRUGGY:RH1065 / RH1066</p>
<p>10132-Diff Drive Cup 4Pcs</p>	<p>10133-Center Coupler 3 Pcs</p>	<p>10134-Body Post 2 Pcs</p>	<p>10136-Servo Saver Post 2 Pcs</p>
 <p>BUGGY:RH1067 / RH1068 TRUGGY:RH1065 / RH1066</p>	 <p>BUGGY:RH1067 / RH1068 TRUGGY:RH1065 / RH1066</p>	 <p>TRUGGY:RH1065 / RH1066</p>	 <p>BUGGY:RH1067 / RH1068 TRUGGY:RH1065 / RH1066</p>
<p>10137-Steering Ackerman</p>	<p>Hinge Pins(Long&Short) 1 Ste</p>	<p>Front UpperSusp.Arm 2 Sets</p>	<p>Servo Linkage 1 Pc</p>
 <p>BUGGY:RH1067 / RH1068 TRUGGY:RH1065 / RH1066</p>	 <p>10329 BUGGY:RH1067 / RH1068 10230 TRUGGY:RH1065 / RH1066</p>	 <p>10317 BUGGY:RH1067 / RH1068 10141 TRUGGY:RH1065 / RH1066</p>	 <p>10316-BUGGY:RH1067 / RH1068 10144-TRUGGY:RH1065 / RH1066</p>
<p>Rear Upper Susp.Arm 2 Sets</p>	<p>Steering Arm 2 Sets</p>	<p>10145-Wheel Hub 4 Pcs</p>	<p>10146-Antenna Pipe Set 2 Stes</p>
 <p>10318-BUGGY:RH1067 / RH1068 10142-TRUGGY:RH1065 / RH1066</p>	 <p>10319-BUGGY:RH1067 / RH1068 10143-TRUGGY:RH1065 / RH1066</p>	 <p>BUGGY:RH1067 / RH1068 TRUGGY:RH1065 / RH1066</p>	 <p>BUGGY:RH1067 / RH1068 TRUGGY:RH1065 / RH1066</p>
<p>10147-Servo Saver(EP) 1 Set</p>	<p>10622-Chassis Plate(EP) 1 Pcs</p>	<p>Battery Post Servohalter 2 Sets</p>	<p>10618+10619-Rear Spur Gear Cover(EP) 1 Pc</p>
 <p>BUGGY:RH1067 / RH1068 TRUGGY:RH1065 / RH1066</p>	 <p>BUGGY:RH1067 / RH1068 TRUGGY:RH1065 / RH1066</p>	 <p>10625 10188</p> <p>BUGGY:RH1067 / RH1068 TRUGGY:RH1065 / RH1066</p>	 <p>10618 10619</p> <p>For plastic chassis</p> <p>BUGGY:RH1067 / RH1068 TRUGGY:RH1065 / RH1066</p>

11068-C clip-7.3mm 4pc	10616-Upper Plate Oberdeck 1 Pc	10189-Post For Rear Spur Gear Cover 2 Pcs	10190-Motor Mount(EP) 1 Pc
BUGGY:RH1067 / RH1068 TRUGGY:RH1065 / RH1066	BUGGY:RH1067 / RH1068 TRUGGY:RH1065 / RH1066	BUGGY:RH1067 / RH1068 TRUGGY:RH1065 / RH1066	BUGGY:RH1067 / RH1068 TRUGGY:RH1065 / RH1066
10191-Slipper Shaft(EP) 1 Pc	10194-Steel Spur Gear 65T 1 Pc	10199-Slipper Drive Cup 1 Pc	10200-Bearing Bracket(EP) 1 Pc
BUGGY:RH1067 / RH1068 TRUGGY:RH1065 / RH1066	BUGGY:RH1067 / RH1068 TRUGGY:RH1065 / RH1066	BUGGY:RH1067 / RH1068 TRUGGY:RH1065 / RH1066	BUGGY:RH1067 / RH1068 TRUGGY:RH1065 / RH1066
10201-Pinion Gear 17T 10323-Pinion Gear 23T	10202-Center Drive Shaft (EP) 1 Pc	10715-Rear Spur Gear Cover 1 Ste	10617-Bulk Head Vorne 1 Ste
10323-BUGGY:RH1067 / RH1068 10201-TRUGGY:RH1065 / RH1066	BUGGY:RH1067 / RH1068 TRUGGY:RH1065 / RH1066	For Aluminum chassis BUGGY:RH1067 / RH1068 TRUGGY:RH1065 / RH1066	BUGGY:RH1067 / RH1068 TRUGGY:RH1065 / RH1066
10214-Shock Ball End 6 Pcs	10215-Servo Link Ball End 6 Pcs	10216-Steering Linkage Ball End 6 Pcs	10217-Rear Upper Linkage Ball End 6 Pcs
BUGGY:RH1067 / RH1068 TRUGGY:RH1065 / RH1066	BUGGY:RH1067 / RH1068 TRUGGY:RH1065 / RH1066	BUGGY:RH1067 / RH1068 TRUGGY:RH1065 / RH1066	BUGGY:RH1067 / RH1068 TRUGGY:RH1065 / RH1066
10220-Ball A 6 Pcs	10221-Ball B 6 Pcs	10222-Ball C 6 Pcs	10223-Ball C 6 Pcs
BUGGY:RH1067 / RH1068 TRUGGY:RH1065 / RH1066	BUGGY:RH1067 / RH1068 TRUGGY:RH1065 / RH1066	BUGGY:RH1067 / RH1068 TRUGGY:RH1065 / RH1066	BUGGY:RH1067 / RH1068 TRUGGY:RH1065 / RH1066

<p>10224-Shock O-Ring (Lower) 6 Pcs</p>	<p>10225-Diff O-Ring Seal 6 Pcs</p>	<p>10226-Shock Seal Cover 4 Pcs</p>	<p>10228-Pin \varnothing 2x10 6Pcs</p>
 <p>BUGGY:RH1067 / RH1068 TRUGGY:RH1065 / RH1066</p>	 <p>BUGGY:RH1067 / RH1068 TRUGGY:RH1065 / RH1066</p>	 <p>BUGGY:RH1067 / RH1068 TRUGGY:RH1065 / RH1066</p>	 <p>BUGGY:RH1067 / RH1068 TRUGGY:RH1065 / RH1066</p>
<p>RH5526-Diff 16T Gear Washer 6Pcs</p>	<p>10232-Ball Bearing 15x10x4 6 Pcs</p>	<p>10233-Ball Bearing 10x5x4 6 Pcs</p>	<p>10235-Ball Bearing 8X5X2.5 6 Pcs</p>
 <p>BUGGY:RH1067 / RH1068 TRUGGY:RH1065 / RH1066</p>	 <p>BUGGY:RH1067 / RH1068 TRUGGY:RH1065 / RH1066</p>	 <p>BUGGY:RH1067 / RH1068 TRUGGY:RH1065 / RH1066</p>	 <p>TRUGGY:RH1065 / RH1066</p>
<p>RH5116-Set Screw M3x3 6 Pcs</p>	<p>RH5117-Set Screw M4x4 6 Pcs</p>	<p>RH5118-Button Head Hex Screw M4X10 6 Pcs</p>	<p>RH5190-E Clip-4MM 6 Pc</p>
 <p>BUGGY:RH1067 / RH1068 TRUGGY:RH1065 / RH1066</p>	 <p>BUGGY:RH1067 / RH1068 TRUGGY:RH1065 / RH1066</p>	 <p>BUGGY:RH1067 / RH1068 TRUGGY:RH1065 / RH1066</p>	 <p>BUGGY:RH1067 / RH1068 TRUGGY:RH1065 / RH1066</p>
<p>RH5102-Nylon Lock Nut-M3 6pc</p>	<p>RH5103-Nylon Lock Nut-M4 6pc</p>	<p>10237-E clip-2.5mm 6pc</p>	<p>10239-Round Head Self Tapping Hex Screw M3x6 6 pc</p>
 <p>BUGGY:RH1067 / RH1068 TRUGGY:RH1065 / RH1066</p>	 <p>BUGGY:RH1067 / RH1068 TRUGGY:RH1065 / RH1066</p>	 <p>BUGGY:RH1067 / RH1068 TRUGGY:RH1065 / RH1066</p>	 <p>BUGGY:RH1067 / RH1068 TRUGGY:RH1065 / RH1066</p>
<p>85144-Ring Self Tapping Screw 3x4 4 Pc</p>	<p>85148-Round Head Self Tapping Hex Screw 2x6 4 Pcs</p>	<p>10238-Round Head Self Tapping Hex Screw 2x10 6 Pc</p>	<p>85179-Round Head Self Tapping Hex Screw 3x15 8 Pc</p>
 <p>BUGGY:RH1067 / RH1068 TRUGGY:RH1065 / RH1066</p>	 <p>BUGGY:RH1067 / RH1068 TRUGGY:RH1065 / RH1066</p>	 <p>BUGGY:RH1067 / RH1068 TRUGGY:RH1065 / RH1066</p>	 <p>BUGGY:RH1067 / RH1068 TRUGGY:RH1065 / RH1066</p>

10240-Button Head Hex
Screw M3x8 6 Pc



BUGGY:RH1067 / RH1068
TRUGGY:RH1065 / RH1066

10241-Button Head Hex
Screw M3x10 6 Pc



BUGGY:RH1067 / RH1068
TRUGGY:RH1065 / RH1066

85184-Button Head Hex
Screw M3x12 6 Pc



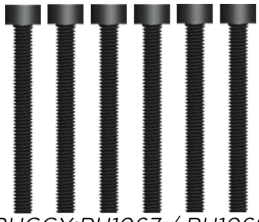
BUGGY:RH1067 / RH1068
TRUGGY:RH1065 / RH1066

10242-Button Head Hex
Screw M3x14 6Pc



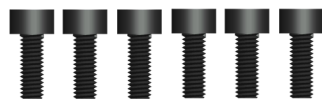
BUGGY:RH1067 / RH1068
TRUGGY:RH1065 / RH1066

10246-Cap Head Hex
Screw M3x28 6 Pc



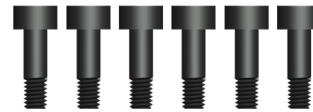
BUGGY:RH1067 / RH1068
TRUGGY:RH1065 / RH1066

RH5562-Cap Head Hex S
crew M3x8 6 Pc



BUGGY:RH1067 / RH1068
TRUGGY:RH1065 / RH1066

10243-Cap Head Hex
Screw M3x10 6 Pc



BUGGY:RH1067 / RH1068
TRUGGY:RH1065 / RH1066

85182-Cap Head Hex
Screw M3x0 6 Pc



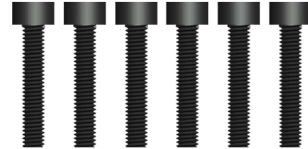
TRUGGY:RH1065 / RH1066

10244-Cap Head Hex
Screw M3x14 6 Pc



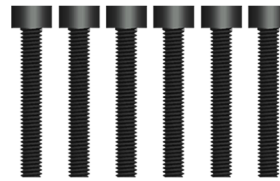
BUGGY:RH1067 / RH1068
TRUGGY:RH1065 / RH1066

85118-Cap Head Hex
Screw M3x15 6 Pc



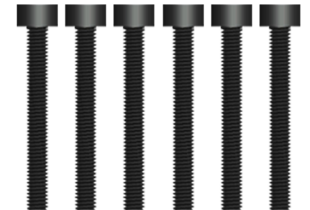
BUGGY:RH1067 / RH1068
TRUGGY:RH1065 / RH1066

10245-Cap Head Hex
Screw M3x18 6 Pc



BUGGY:RH1067 / RH1068
TRUGGY:RH1065 / RH1066

85185-Cap Head Hex
Screw M3x25 6 Pc



BUGGY:RH1067 / RH1068
TRUGGY:RH1065 / RH1066

10247-Flat Head Hex
M3x8 6 Pc



BUGGY:RH1067 / RH1068
TRUGGY:RH1065 / RH1066

10248-Flat Head Hex
Screw M3x12 6 Pc



BUGGY:RH1067 / RH1068
TRUGGY:RH1065 / RH1066

10249-Flat Head Hex
Screw M3x14 6 Pc



BUGGY:RH1067 / RH1068
TRUGGY:RH1065 / RH1066

10250-Flat Head Hex
Screw M3x20 6 Pc



BUGGY:RH1067 / RH1068
TRUGGY:RH1065 / RH1066

85125-Flat Head Hex
Screw M3x10 8 Pc



BUGGY:RH1067 / RH1068
TRUGGY:RH1065 / RH1066

85127-Flat Head Hex
Screw M3x18 3 Pc



BUGGY:RH1067 / RH1068
TRUGGY:RH1065 / RH1066

10969-Front Suspension
Holders 2 Pcs



BUGGY:RH1067 / RH1068
TRUGGY:RH1065 / RH1066









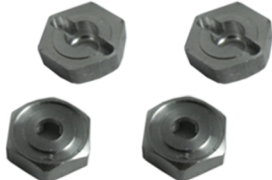

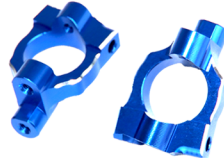

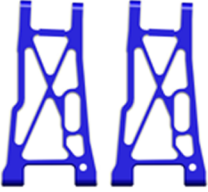



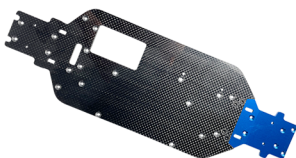
10970-Rear Suspension
Holders 2 Pcs



BUGGY:RH1067 / RH1068
TRUGGY:RH1065 / RH1066

<p>10620-Cable Clips Kabelhalter 1 Pc</p>	<p>10621-RX/Esc Case</p>	<p>10313-Wing Bracket 1 Set</p>	<p>10314-Wing Holder 1 Set</p>
<p>10310-Front Bumper 1 Pc</p>	<p>10315-Body Mount 1 Set</p>	<p>R0075-Buggy Tail Wing 1 Pc</p>	<p>H00138-MG4 Transmitter 1 Pc</p>
<p>H0072-45A ESC 1 Pc</p>	<p>H0050-40A ESC 1 Pc</p>	<p>85274-Li-Po 3300mAh 7.4V 1 Pc</p>	<p>H0030-Ni-MH 7.2V 1800mAh 1 Pc</p>
<p>H0028-3650 Brushless Motor 1 Pc</p>	<p>H0029-550 Brushed Motor 1 Pc</p>	<p>10253-Charger CE 1 Pc</p>	<p>10300-Front Buggy Tyre Set 2 Sets</p>
<p>10301-Rear Buggy Tyre Set 2 Sets</p>	<p>10563-Wheel Complet 2 Sets</p>	<p>R0356-Printed Body 1 Pc</p>	<p>R0357-Printed Body 1 Pc</p>

<p>10210 -Sway Bar 2 Sets</p>	<p>10901-Chassis Plate (AL+Carbon) 1 Set</p>	<p>10905-Battery Cover (Carbon) 1 Set</p>	<p>10906-Body Post(AL) 2 Pc</p>
			
<p>10907-Front Shocks (AL) 2 Pc</p>	<p>10908-Rear Shocks (AL) 2 Pc</p>	<p>10909-Front Lower Susp (AL) 2 Pc</p>	<p>10910-Rear Lower Susp (AL) 2 Pc</p>
			
<p>10911-Steering Ackerman (AL) 1 Pc</p>	<p>10912-Front Susp.Holders (AL) 1 Set</p>	<p>10914-Rear Susp.Holders (AL) 1 Set</p>	<p>10915-Rear Hub Carrier (AL) 2 Pc</p>
			
<p>10917-Steering Knuckle Arm(AL) 2 Sets</p>	<p>10918-Wheel Hub(AL) 4 Pc</p>	<p>10922 Wheelie Bar</p>	<p>10968-Steel Spur Gear 65T 1 Pc</p>
			
<p>10902- Front Shock Plate (Carbon) 1 Set</p>	<p>10903 - Rear Shock Plate (Carbon) 1 Set</p>		
			

<p>10324-Sway Bar 2 Sets</p>	<p>10907-Front Shocks (AL) 2 pc</p>	<p>10908-Rear Shocks (AL) 2 pc</p>	<p>10911 - Steering Ackerman (AL) 1 pc</p>
			
<p>10912 - Front Susp. Holders (AL) 1 Set</p>	<p>10914 - Rear Susp. Holders (AL) 1 Set</p>	<p>10915 - Rear Hub Carrier (AL) 2 pc</p>	<p>10917 - Steering Knuckle Arm(AL) 2 Set</p>
			
<p>10918 - Wheel Hub(AL) 4 Pc</p>	<p>10923 - Alum Steering Arm 2 pc</p>	<p>10924 - Alum Knuckle Arm 2 pc</p>	<p>10927-Front Lower Susp. Arm(AL) 2 Pc</p>
			
<p>10928-Rear Lower Susp. Arm(AL) 2 Pc</p>	<p>10960-Rear CVA drive Shaft 1 Set</p>	<p>10961- Front Shock Plate (Carbon) 1 Set</p>	<p>10962 - Rear Shock Plate (Carbon) 1 Set</p>
			
<p>10901-Chassis Plate (AL+Carbon) 1 Set</p>			
			

MORE FOCUS ON DETAILS



SMASH



www.riverhobby.com

