



INSTRUCTION BOOK AND COMPONENT LISTING



Mizar

RH1071 BRUSHED
RH1072 BRUSHLESS

Megrez

RH1073 BRUSHED
RH1074 BRUSHLESS



SCALE



ELECTRIC



FOUR-WHEEL DRIVE



2.4G RADIO



THE MAXIMUM ANGLE IS 60°

MEGREZ

DOMINANT DRIVE
SPEED DEMON





congratulations on your purchase of the VRX Racing 1/10 4WD electric cars
 This 1/10th scale model has been factory assembled and all electrics installed and set up to make it the easiest possible introduction to the sport of driving RC cars.

WARNING: Read the ENTIRE instruction manual to become familiar with the features of the product before operating. Failure to operate the product correctly can result in damage to the product, personal property and serious injury. This is not a toy and must be operated with caution and common sense. Failure to operate this product in a safe and responsible manner could result in damage, injury or damage to other property. This product is not intended for use by children without direct adult supervision. It is essential to read and follow all the instructions and warnings in the manual, prior to assembly, set-up or use, in order to operate correctly and avoid damage and serious injury.

Safety Precautions and Warnings

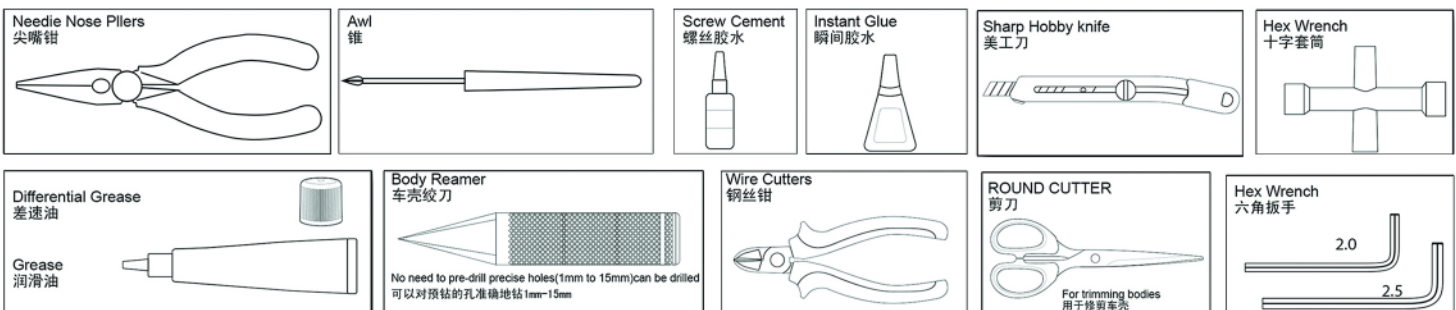
You are responsible for operating this model such that it does not endanger yourself and others, or result in damage to the product or the property of others. This model is controlled by a radio which is possibly subject to interference which can cause momentary loss of control so it is advisable to always keep a safe distance to avoid collisions and injury. Age Recommendation: 14 years or over. This is not a toy. This product is not intended for use by children without direct adult supervision.

Carefully follow these directions and warnings, plus those any additional equipment associated with the use of this model, chargers, ESC and motors, radio etc.

- Never operate your model with low transmitter batteries.
- Always operate your model in an open area away from cars, traffic or people
- Never operate the model in the street or in populated areas.
- Always keep the vehicles in direct line of sight, you cannot control what you cannot see!
- Keep all chemicals, small parts and anything electrical out of the reach of the children.
- Avoid water exposure, moisture causes damage to electronics and may result in the loss of control or permanent damage.
- Avoid injury from high speed rotating parts, gears and axles etc.
- Novices should seek advice from more experienced people to operate the model correctly and meet its performance potential.
- Exercise caution when using tools and sharp instruments.
- Do not put fingers or any objects inside rotating or moving parts.
- Take care when carrying out repairs or maintenance as some parts may be sharp.
- Do Not touch equipment such as motor electronic speed control and battery, immediately after using your model because they can generate high temperatures.
- Always turn on your transmitter before you turn on the receiver in the car. Always turn off the receiver before turning your transmitter off.
- Keep the wheels of the model off the ground, keep your hands away from the wheels when checking the operation of the radio equipment.
- Prolong motor life by preventing overheat conditions. Undue motor wear can result from frequent turns, rapid change of direction forwards/backwards, continuous stop/starts, pushing/pulling objects, driving in deep sand and tall grass, or driving continuously up hill.

Required equipment for operation

1. Tools required for building and maintenance:





WARNING!

Do not use a power screw driver to install screws into nylon or plastic materials. The fast locking may heat up the screws being installed that may break the molded parts or strip the threads during installation.

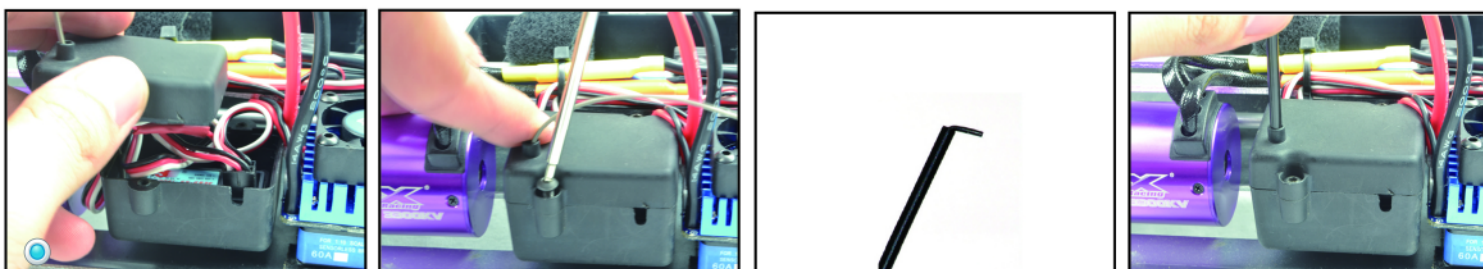
2. Additional items needed for operation:



AA Alkaline batteries for transmitter

IMPORTANT!

Check that all screws and nuts are tight before each use.



EBL VERSION

Charging/installing the Battery.

Always store your model with the battery pack unplugged and removed. Always charge your battery away from the vehicle.

WARNING! NEVER LEAVE THE BATTERY UNATTENDED WHILE ON CHARGE

The supplied charger can charge either 2s or 3s (cell number) Lipo batteries. The supplied battery is a 2s ensure you plug it into the correct 2s balance port. When the charger is connected to the mains powers the power LED will turn green. Once you connect your balance connector to the charge the status LED will turn red indicating that charging is in progress. Once the battery is fully charged the status LED will turn green. If you experience the LED blinking red then there is an error with either the battery or charger.

when charging a completely discharged battery, the charger can become hot to touch. NEVER LEAVE THE BATTERY CHARGE UNATTENDED. Always disconnect the charger from the mains supply and the battery pack when not in use.



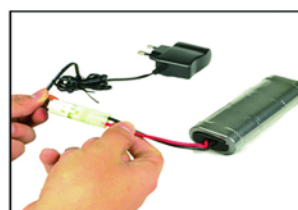
To install a charged battery, firstly remove the body shell and insert the battery into the battery case, then fasten the two Velcro straps to fix the battery stably. When connecting battery and turning car on, ensure it is off ground with wheels away from objects.



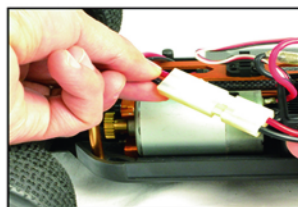
EBD VERSION

Charging/installing the Battery.

Always store your model with the battery pack unplugged and removed. Always charge your battery away from the vehicle. The included 500mAh mains charger will take approx 4 hours to charge a fully charged battery if it becomes warm to the mains supply and the battery pack when not in use. Keep children away from charger and battery during the charging process.



To install a charged battery, firstly remove the body shell and insert the battery into the battery case, then fasten the two Velcro straps to fix the battery stably. When connecting battery and turning car on, ensure it is off ground with wheels away from objects.





Notes on Battery use:

Always allow the battery cool after use, before recharging.
Always inspect the battery before charging.
Any bare wires, split heat shrink or leakage is a sure sign of abuse.
Never attempt to charge dead or damaged batteries.
Do not disassemble the battery or cut the connector wires.
If the battery connector, battery case or cable insulation get hot enough to melt or split there is most likely a serious problem with your model, battery wires or speed controller, Find and correct the problem before installing another charged battery pack.
NEVER charge the battery unattended in case of overcharging, you need to be able to monitor the battery during charging.
Charge away from flammable objects and on a non-flammable surface in case the battery becomes too hot.

Getting Started

Refer to 2.4ghz binding manual for radio set-up.
Switch on transmitter
Hold vehicle clear of the ground, connect battery pack and switch on receiver.
Test the transmitter to check control of the vehicle with wheels off the ground.
Start driving slowly and if the vehicle of the vehicle with wheels off the ground.
For the very first run use the throttle gently, to help the driver become accustomed to the vehicles behaviour and controls.
Although this vehicle features waterproof electronics they are not designed to be submerged in water. Potential damage can still occur to vehicles components if you do so.

After Run.

Switch off the receiver power, switch off the transmitter. Disconnect the battery and remove it from the vehicle, allow it to cool before recharging. If you have a second charged battery all ready to use, still allow the vehicle to cool slightly before continuing.

Regular maintenance.

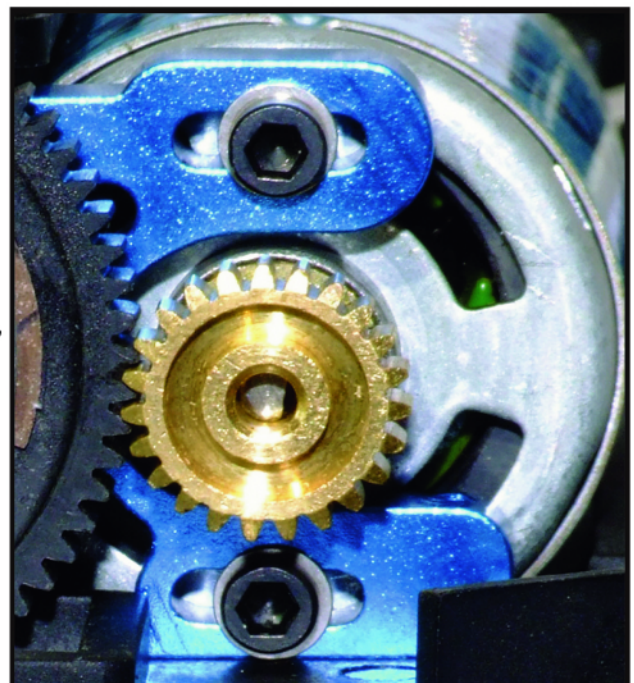
Frequently check the whole vehicle for loose or missing fixings. Use thread lock on any replacement screws into metal threads.

Frequently check rotating parts are free from grass, string etc. that might bind their motion and over stress the motor or speed controller. Remove the wheels occasionally and check behind the mounting hex for obstructions or anything that might have been wrapped around the axle and caused extra drag.

Check the gear mesh frequently and remove any stones or from gear teeth to prevent premature wear and damage. If the motor moves, or is removed for maintenance/exchange, the gear mesh will need to be set. Simply slacken the motor retaining screws and adjust the motor until there is just discernable backlash between pinion and spur teeth. If the gear is too tight or too loose the gears will be noisy and could be damaged.

Shock absorbers will wear prematurely if used in dirty dusty conditions.

Replace oil and seals as required to keep a smooth dampening action.





Trouble shooting guide.

| | | | | |
|--|--|---|--|---|
| Short Runtime: Battery damaged/not Charged. Motor dirty or brushes worn. Drivetrain binding. | Sluggish Action: Motor damaged. Bind in drive train. Battery running low on power. | Motor/ESC overheat: Over-gearred Binding transmission. Seized axle bearing. Motor binding | Motor spins but vehicle refuses to move: Gears damaged. Gears loose on shaft. Magnets debonded from motor armature. Slipper clutch too loose. Drive shaft broken or missing. | Poor Range or fails to operate: Transmitter batteries low. Vehicle Battery Low. Transmitter switched off. Transmitter/receiver aerial not extended. ESC switched off or battery not connected. Loose connectors/wires. 2.4ghz binding with-receiver lost |
|--|--|---|--|---|

LIPO BATTERY-USER SAFETY AND HANDLING INSTRUCTIONS.

Read all safety instructions before charging or using your batteries for the first time.

Lipo batteries require completely different charging and care than Nicd and NIMH batteries. Misuse can result in fire, personal injury and/or damage to property. The buyer assumes all Liability and risk associated with the use of Lithium-Polymer (Li-Po) batteries. Immediately return the battery, unused, if you do not agree with these terms.

General guidelines and warnings:

1. Use a Lithium Polymer specific chargers only! Do not use a Nicd or NiMH charger.
2. NEVER charge unattended. Always charge in safety sack or metal tin with lid away from other flammable materials.
3. During the charge process watch for swollen or ballooning cells. If this happens immediately disconnect the charger and move the battery to a fire proof place for 15 minutes. Do not attempt to charge again.
4. A short circuit can cause a rapid discharge of high currents. Avoid short circuits, and be aware of short circuits on jewelry.
5. Any Lithium Polymer battery involved in a crash should be removed and observed in a fireproof space for 15 minutes before continuing to use or charge the battery.
6. If rewiring the battery pack, rewire the leads one at a time. Do not cut both leads. Do not short circuit on tools.
7. Do not expose battery packs to direct sunlight for extended periods.
8. Do not attempt to tamper with or open the Lipo Hardcase. The case is protection against possible battery swelling

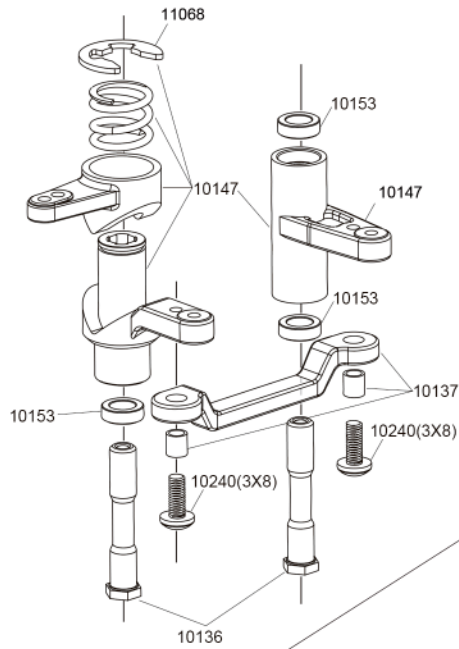
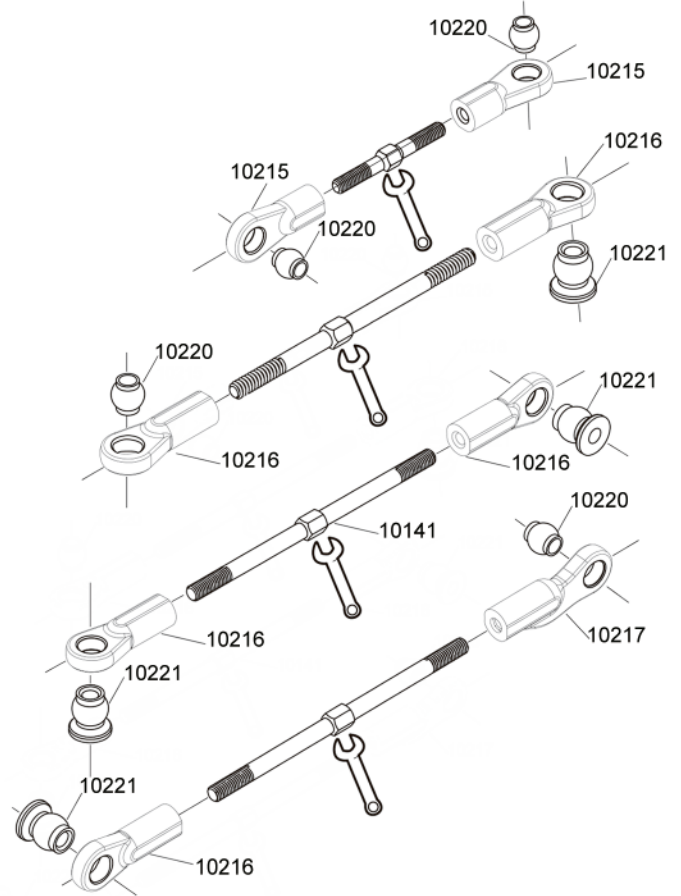
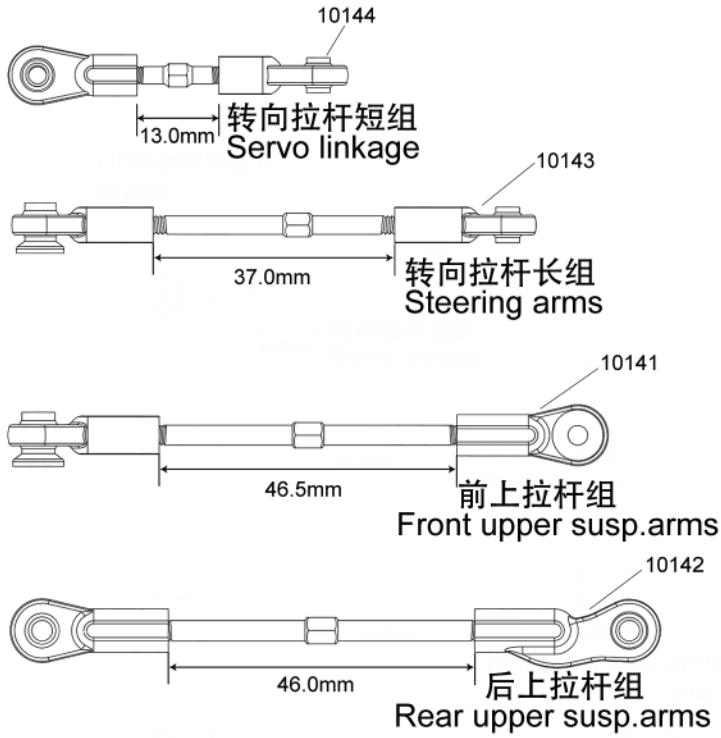
Before charging:

Visually inspect the pack checking for damaged leads, connectors, cracked heat shrink covering, swelling or other abnormalities. Do not charge if the pack is damaged.

Charging process:

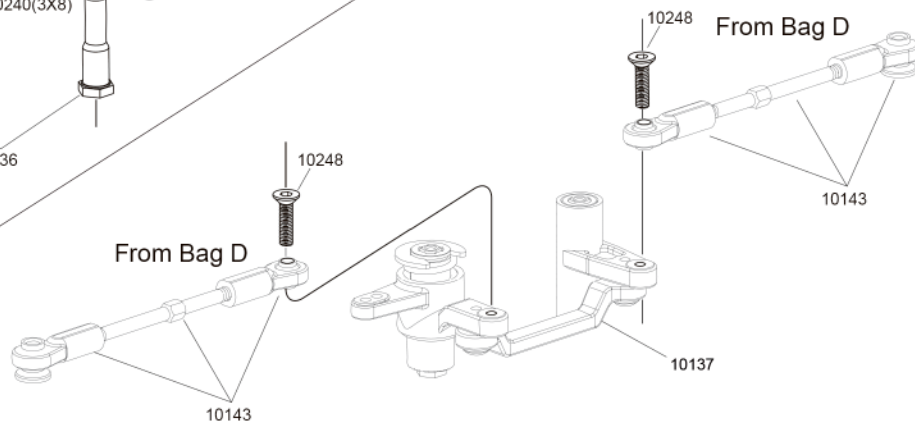
1. NEVER charge unattended.
2. Charge away from flammable materials and inside a Lipo safe sack or metal tin with lid.
3. Allow battery to cool before charging.
4. Use the battery label for setting charger call count and voltage.
5. Do not exceed 5C MAX charge rate. (Example, charge a 1000mAh pack at 5A MAX) If disposing of a Lipo battery proceed as follows:
Submerge the battery into a container filled with about 10 litres of salt water (one cup of salt in 10L). Leave the battery submerged for 2 weeks, this will slowly and safely discharge the battery until the voltage has dropped to zero volts which eliminates the risk of any chemical reaction. It can then be disposed off in the general waste collection.

拉杆组

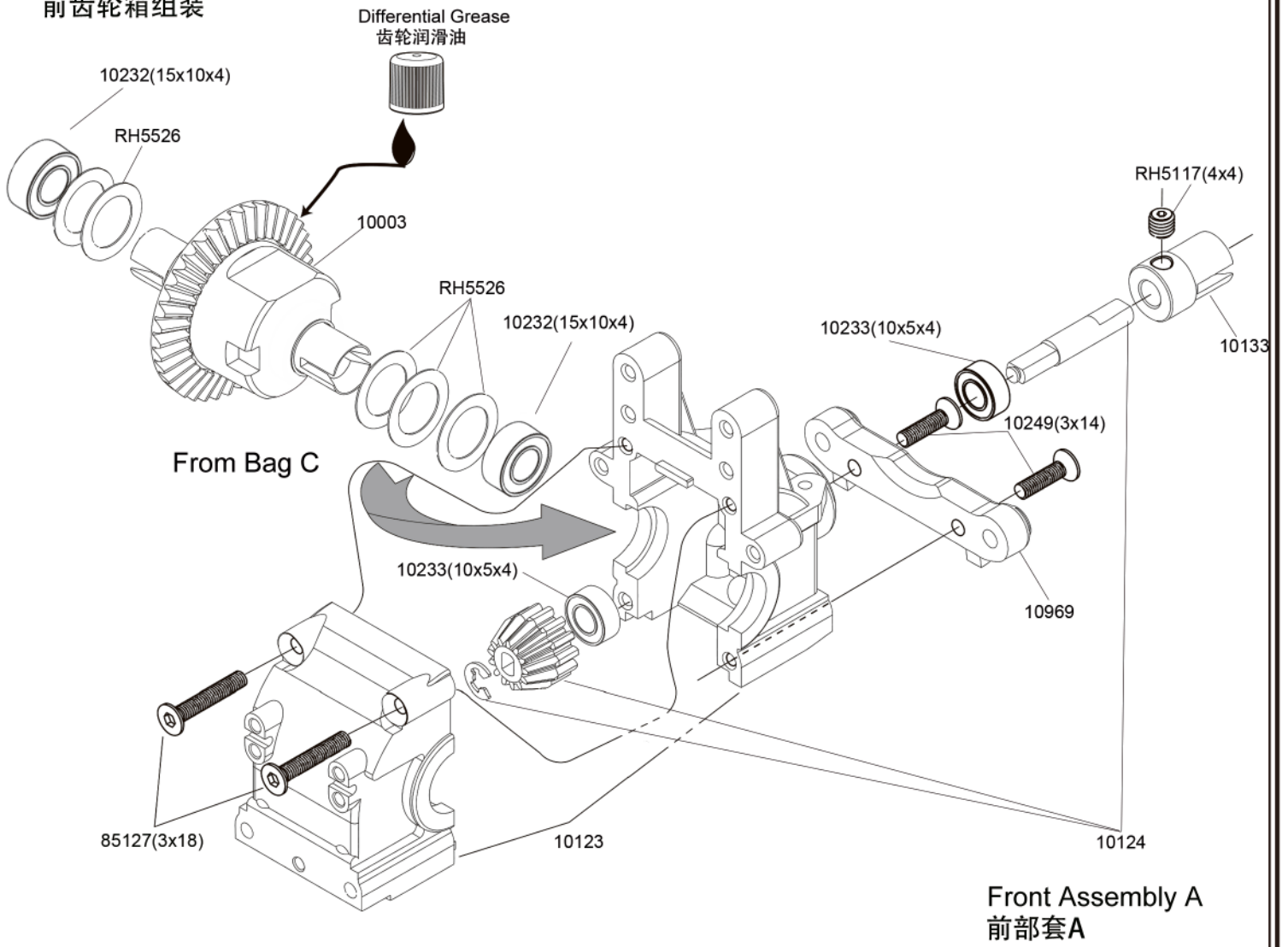


Servo Saver(Bag E)
转向摇臂组合

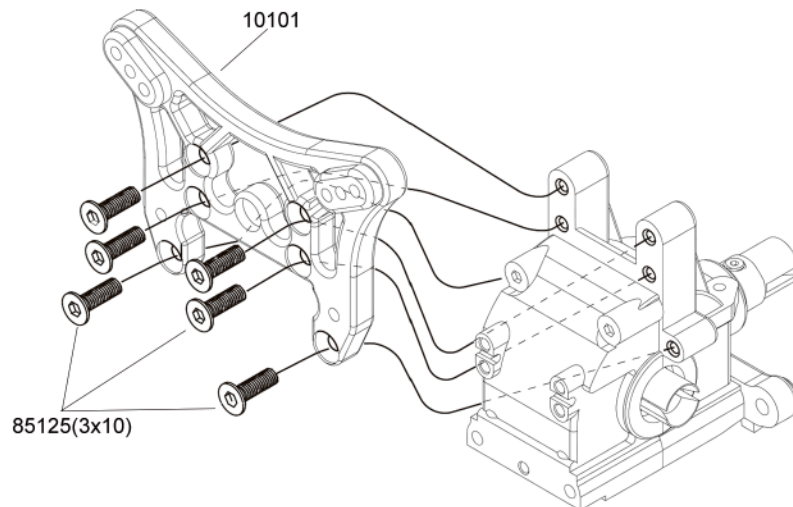
Assemble steering arms.
组装转向拉杆到转向摇臂组上



Front Gear Box Assembly(Bag F)
前齿轮箱组装

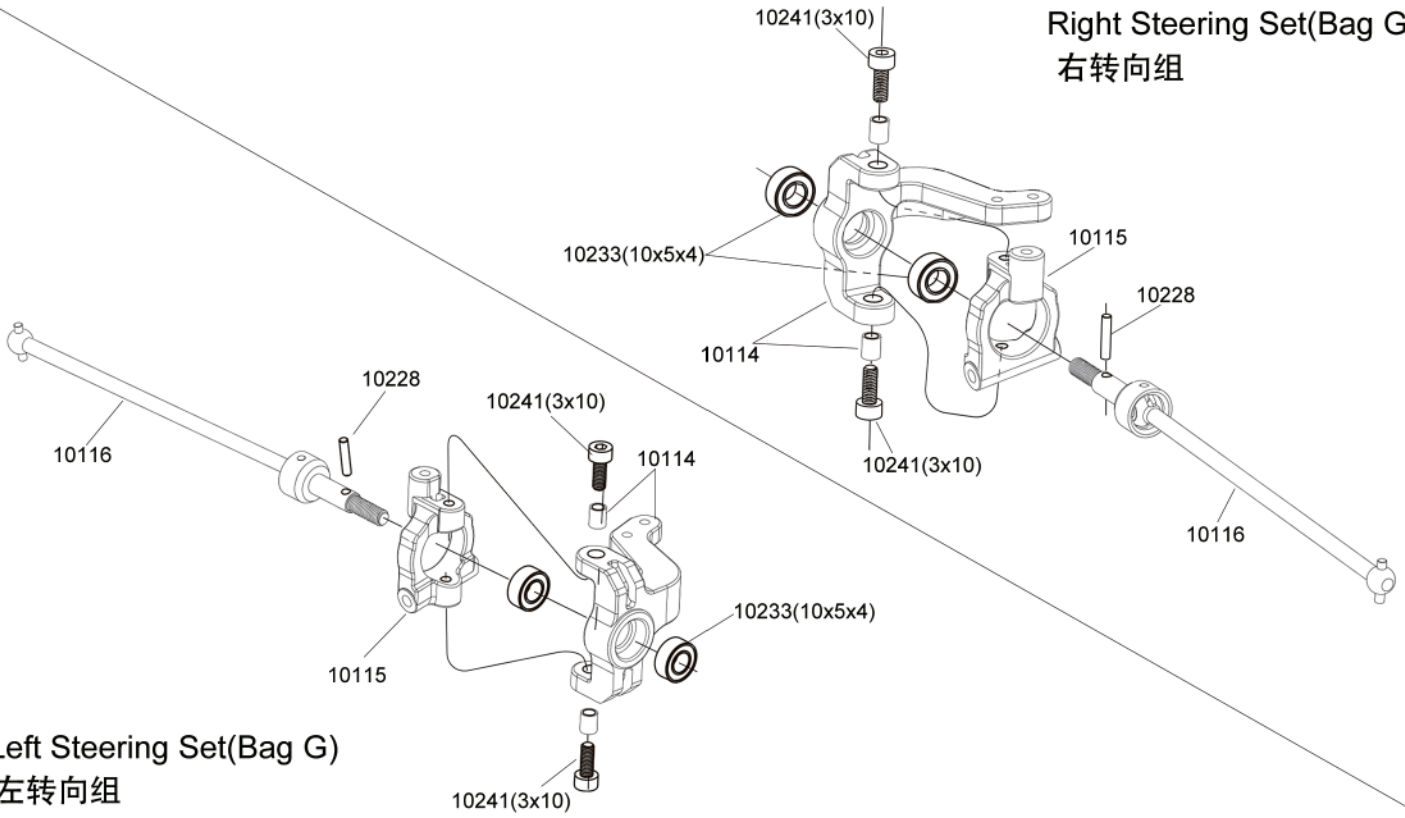


Front Shock Tower(Bag F)
前避震板组装



Front Assembly B
前部套B

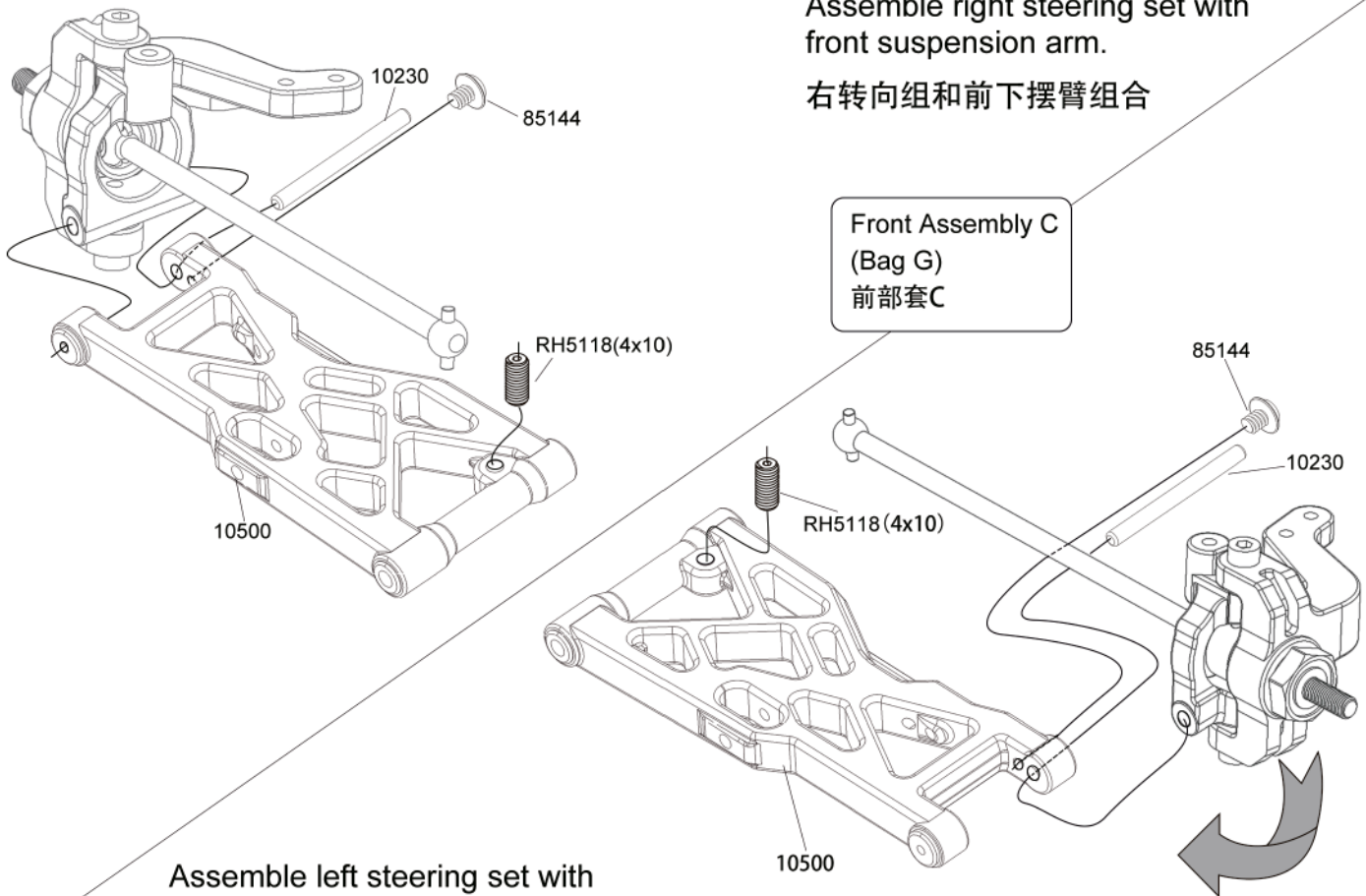
Right Steering Set(Bag G)
右转向组



Left Steering Set(Bag G)
左转向组

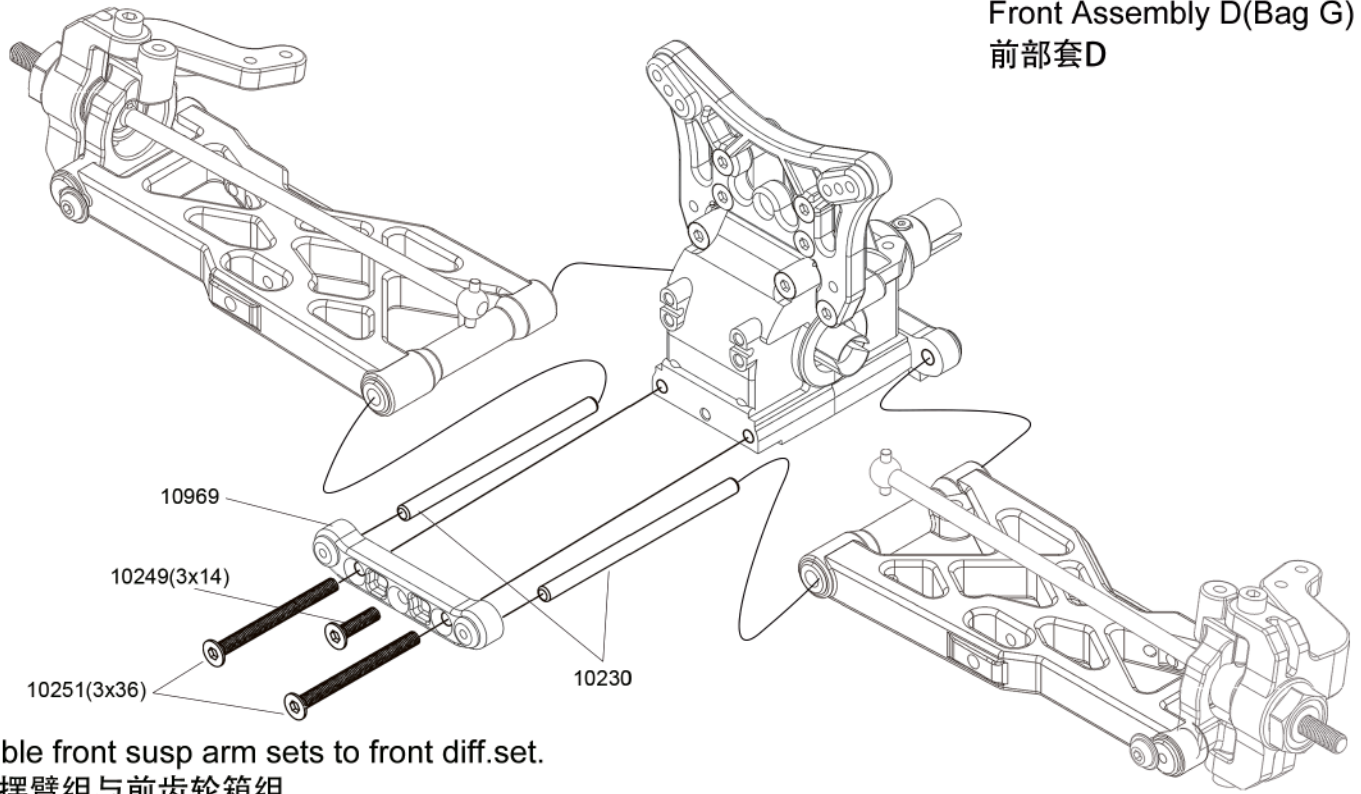
Assemble right steering set with
front suspension arm.

右转向组和前下摆臂组合

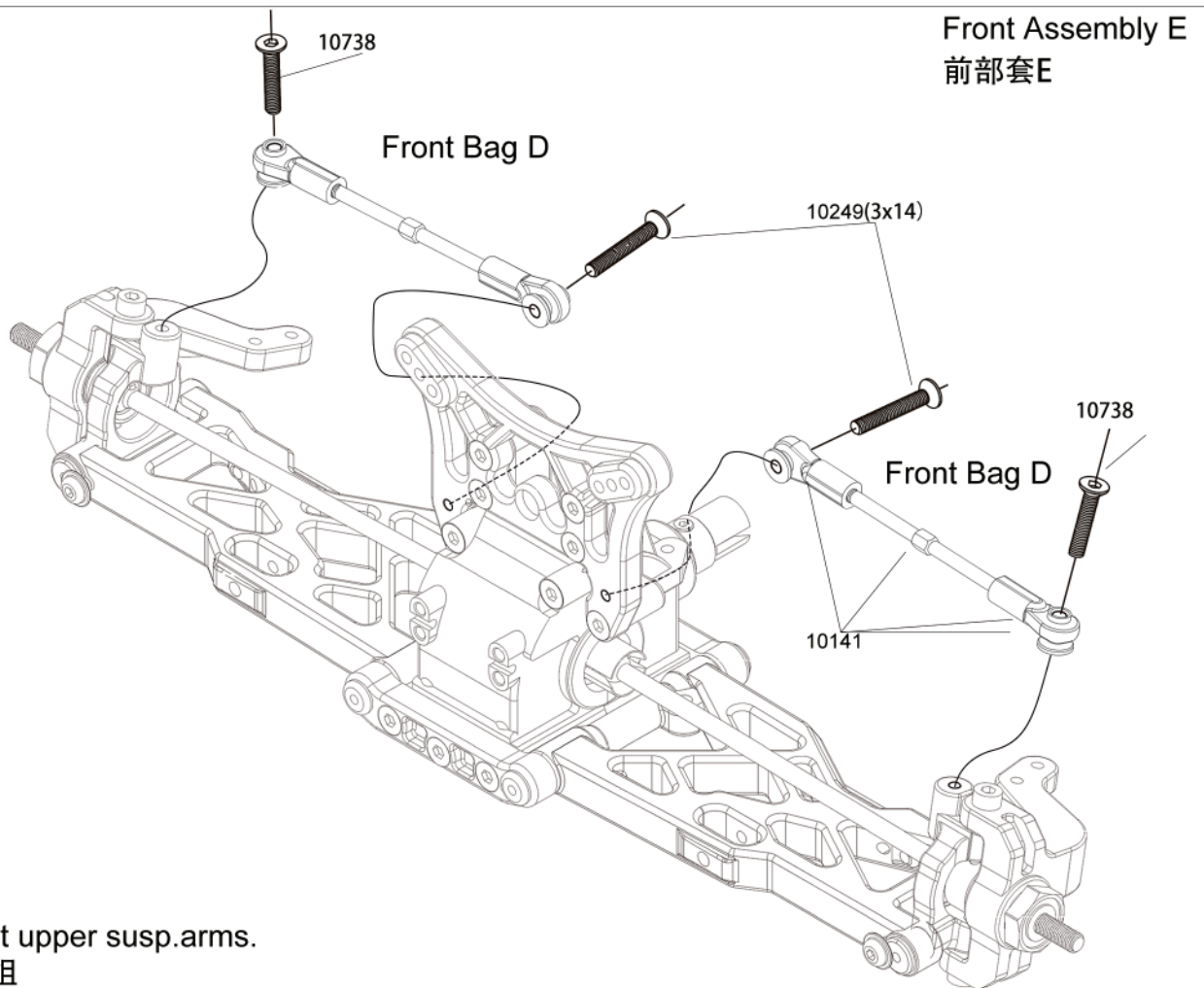


Assemble left steering set with
front suspension arm.

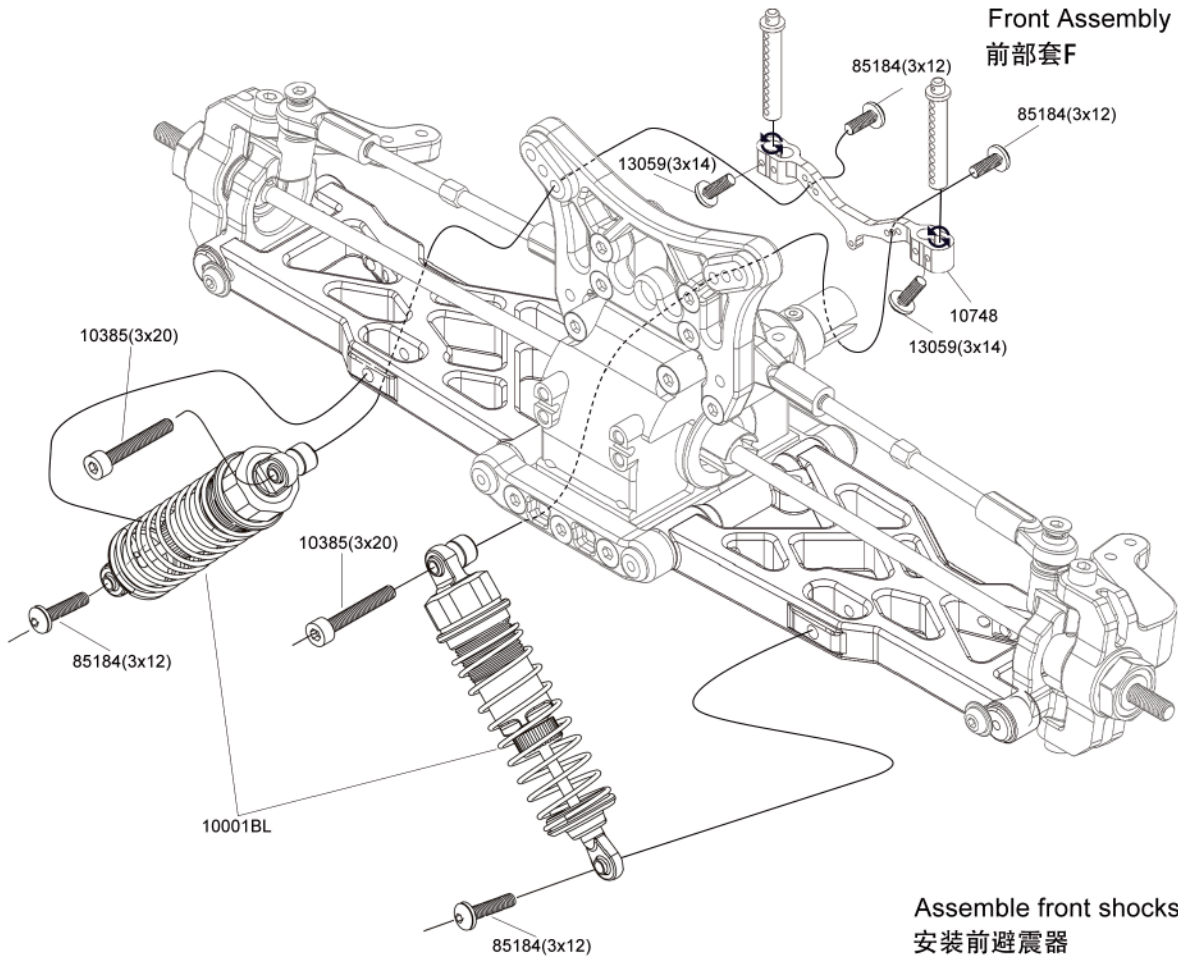
左转向组和前下摆臂组合



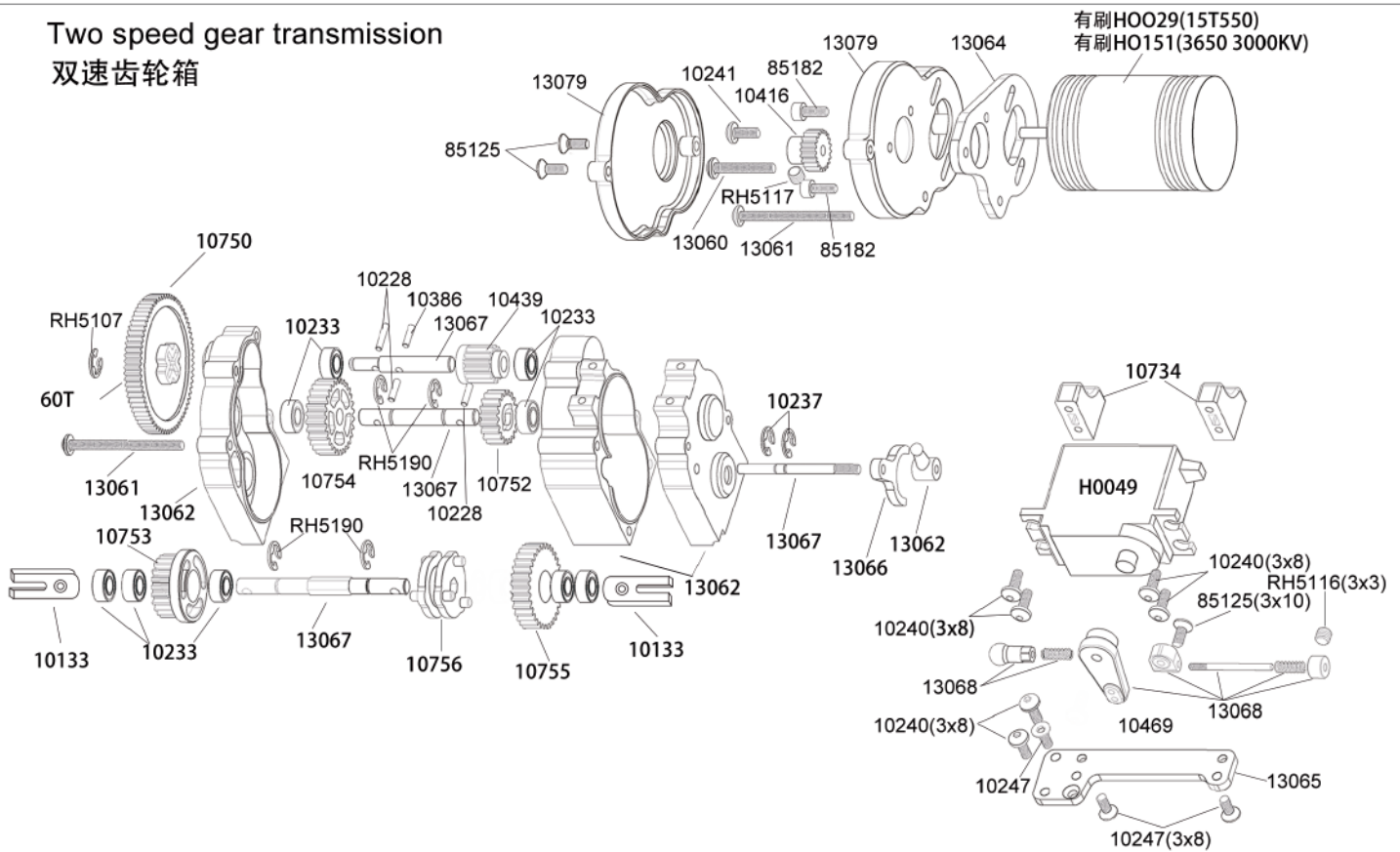
Assemble front susp arm sets to front diff.set.
组装前摆臂组与前齿轮箱组



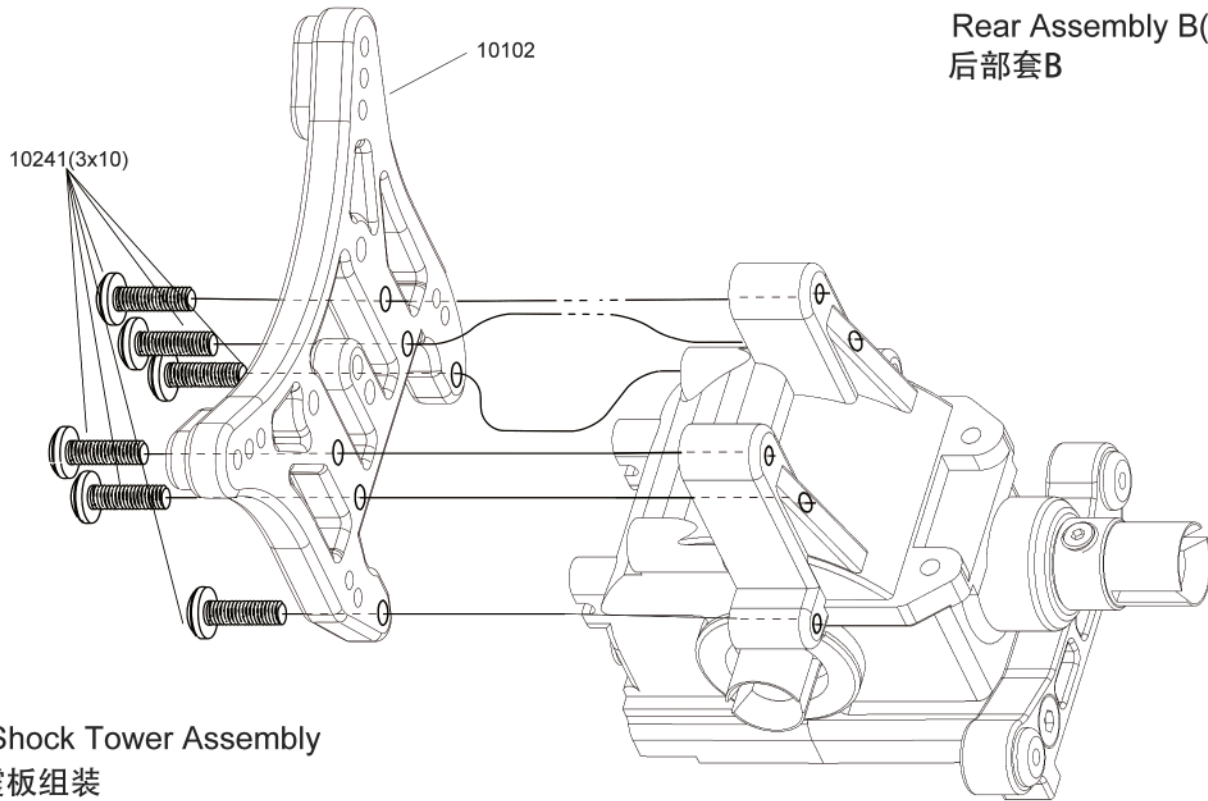
Assemble front upper susp.arms.
组装前上拉杆组



Two speed gear transmission 双速齿轮箱

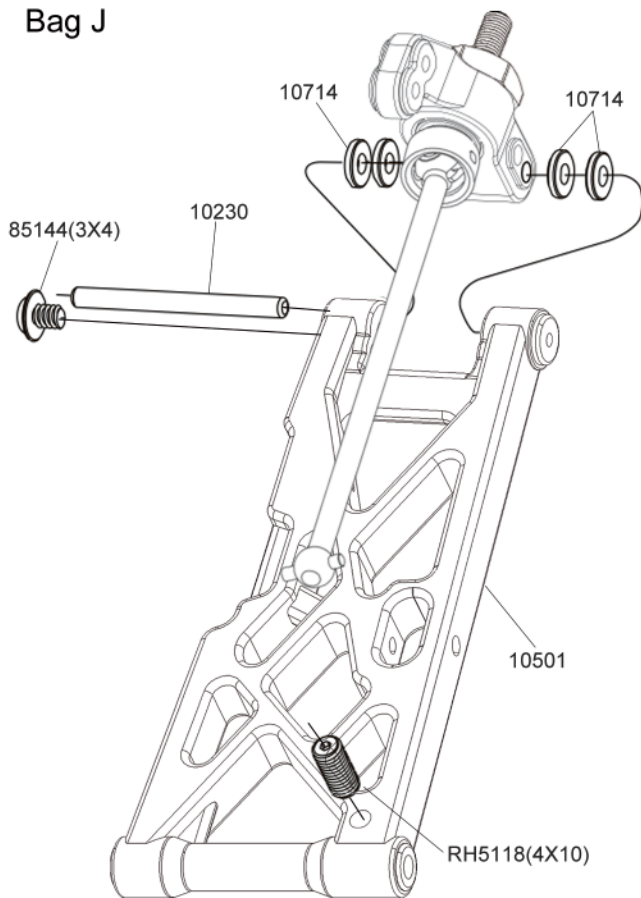


Rear Assembly B(Bag J)
后部套B



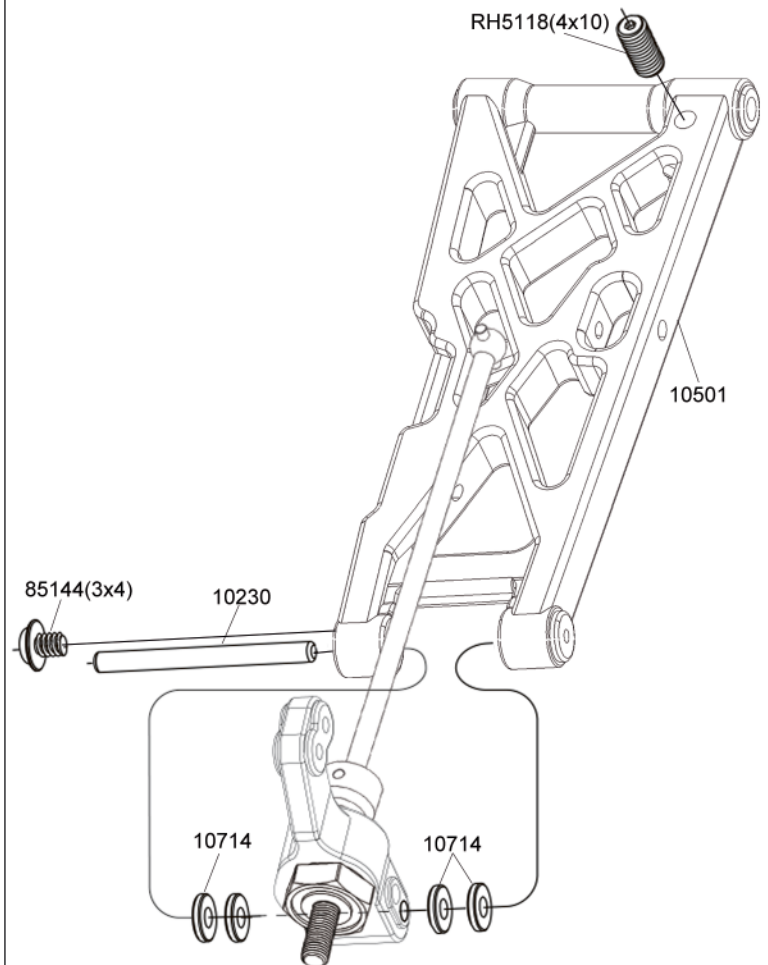
Rear Shock Tower Assembly
后臂震板组装

Bag J



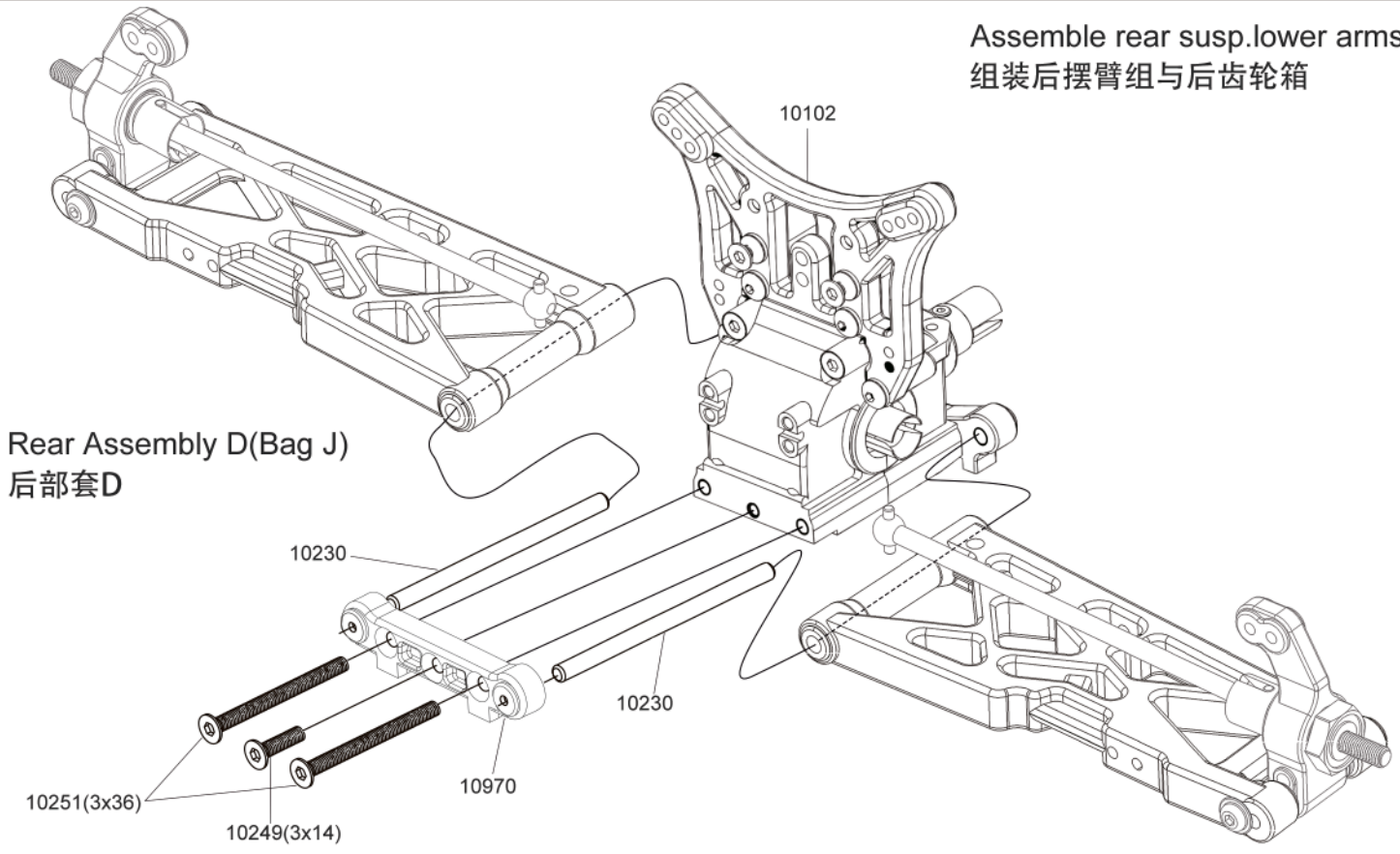
Assemble rear hub carrier set with rear lower
susp arm.
组装后轴座组与后下摆臂

后部套C
Rear Assembly C

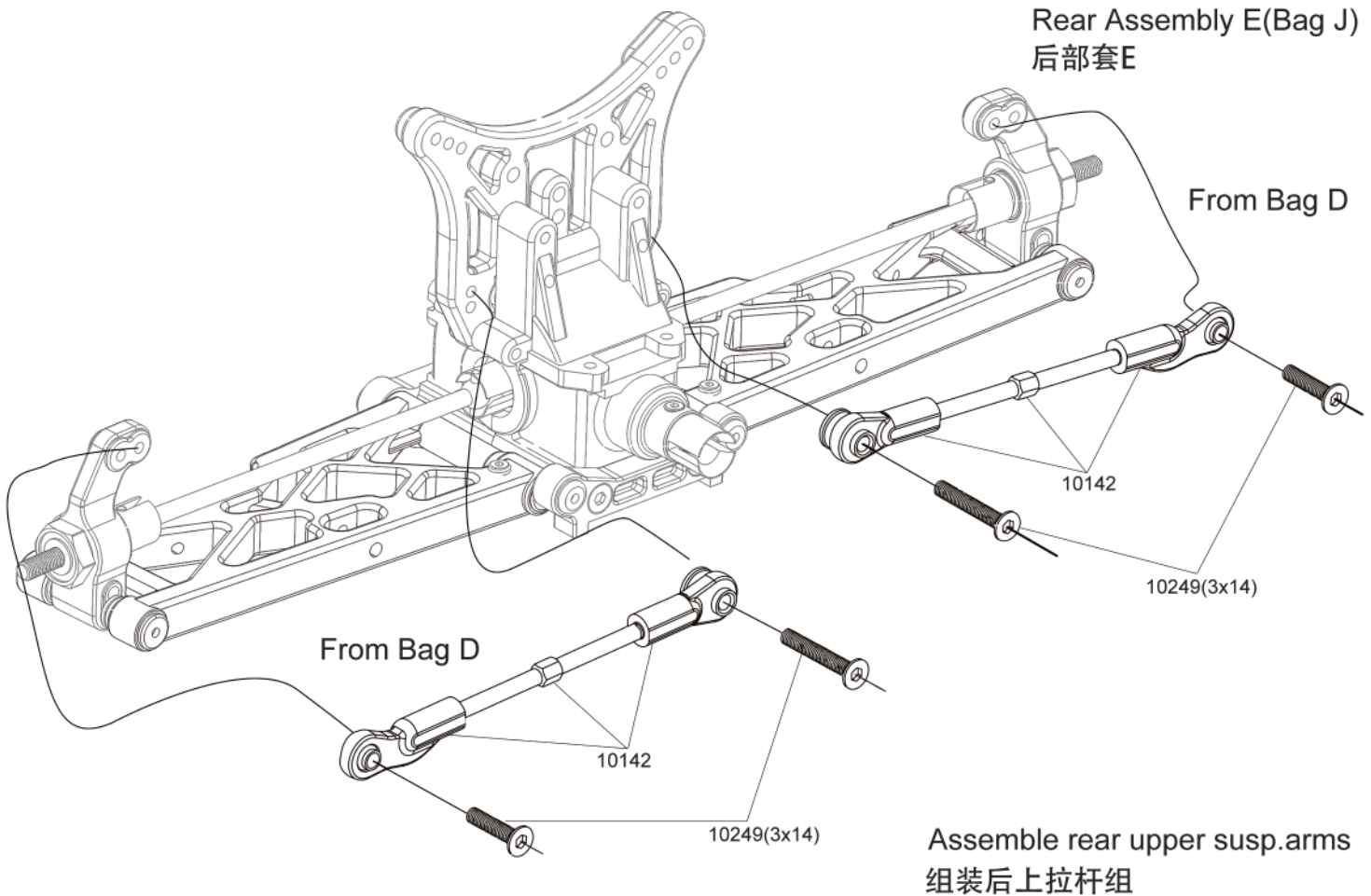


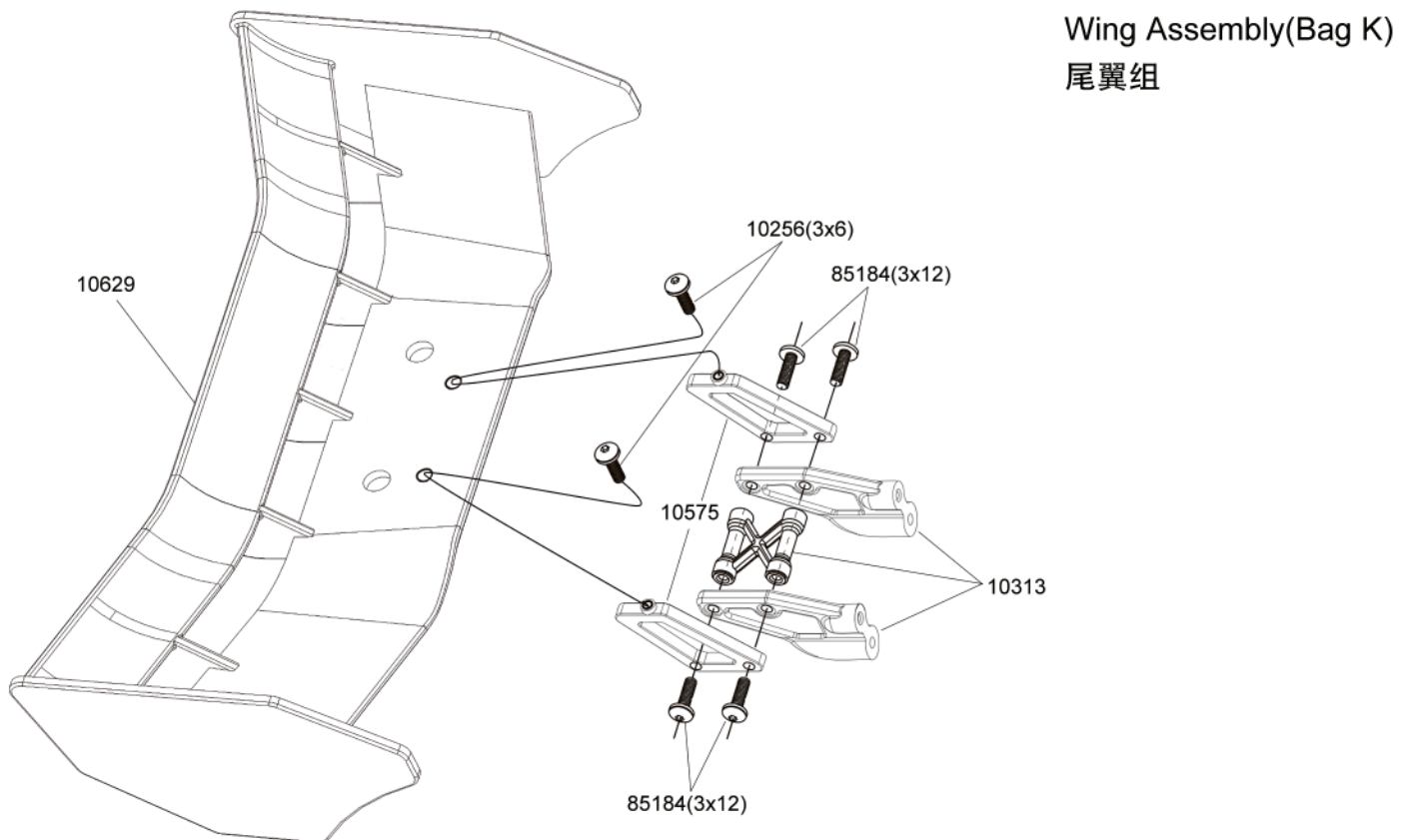
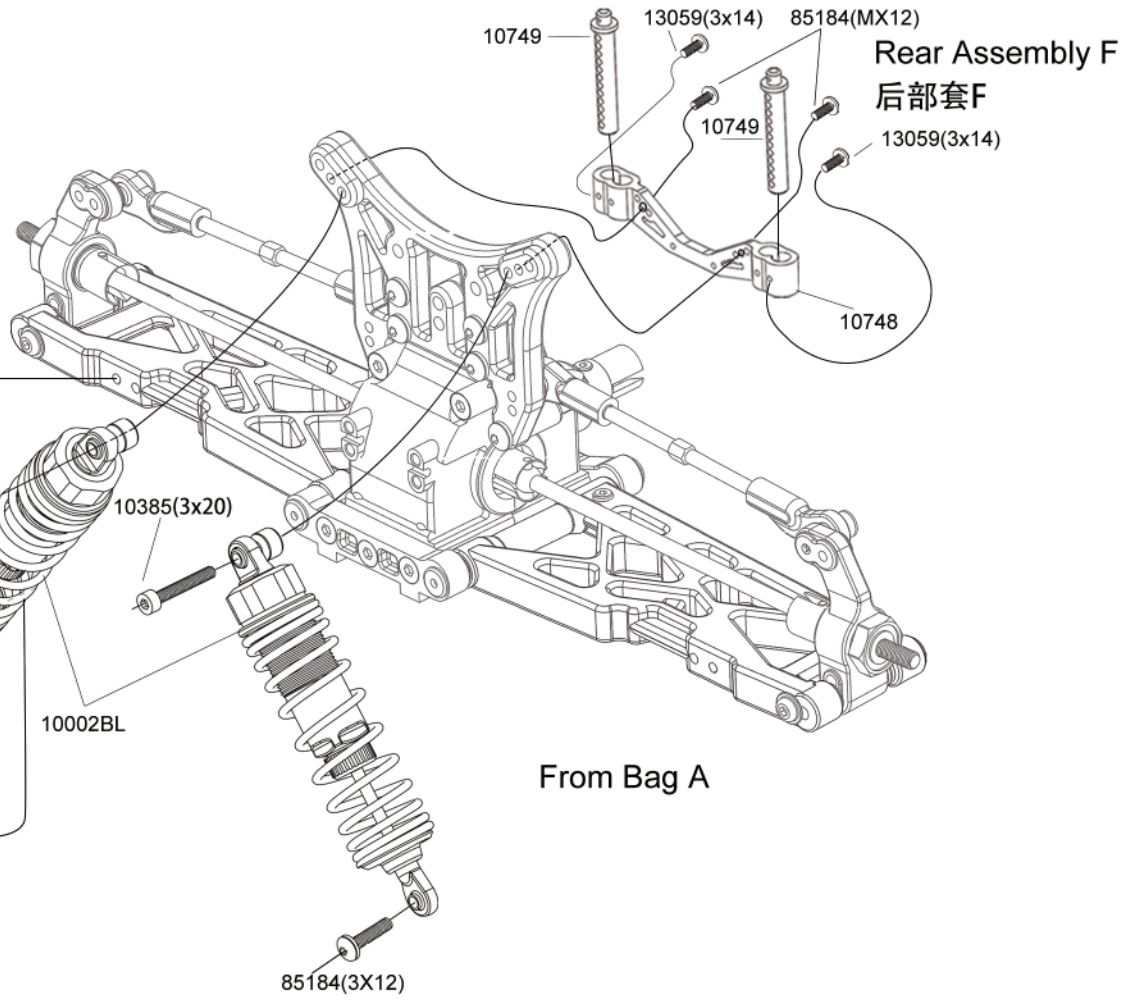
Bag I

Assemble rear susp.lower arms
 组装后摆臂组与后齿轮箱



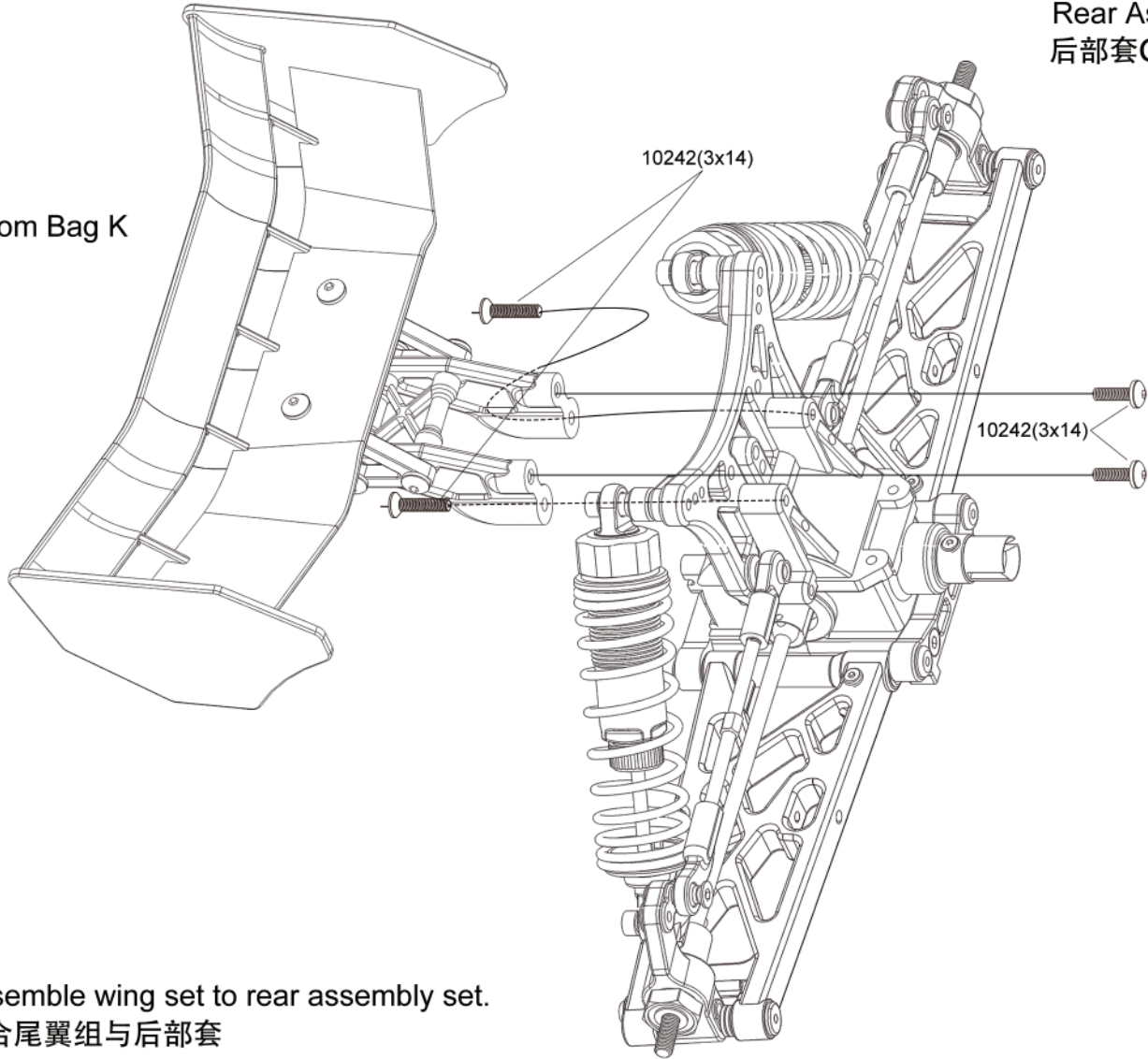
Rear Assembly E(Bag J)
 后部套E





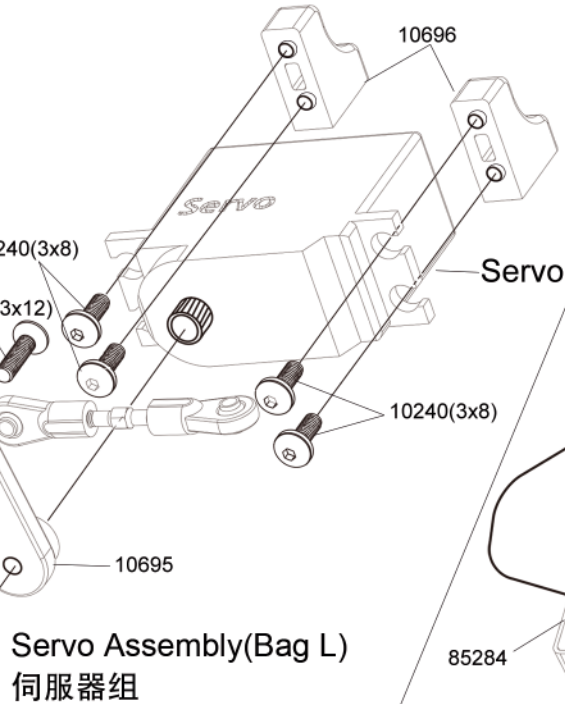
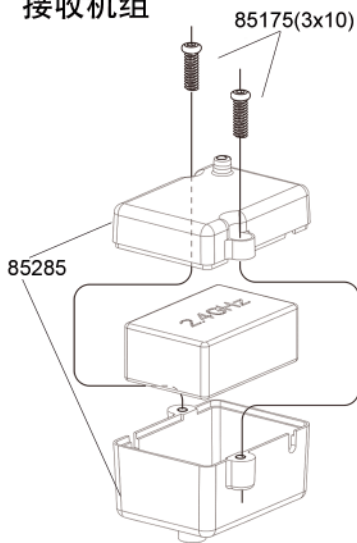
Rear Assembly G 后部套G

From Bag K



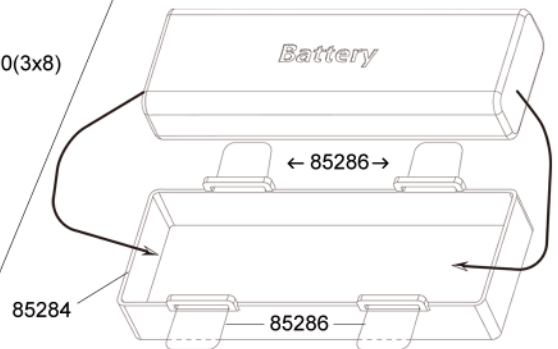
Assemble wing set to rear assembly set.
组合尾翼组与后部套

Receiver(Bag L) 接收机组

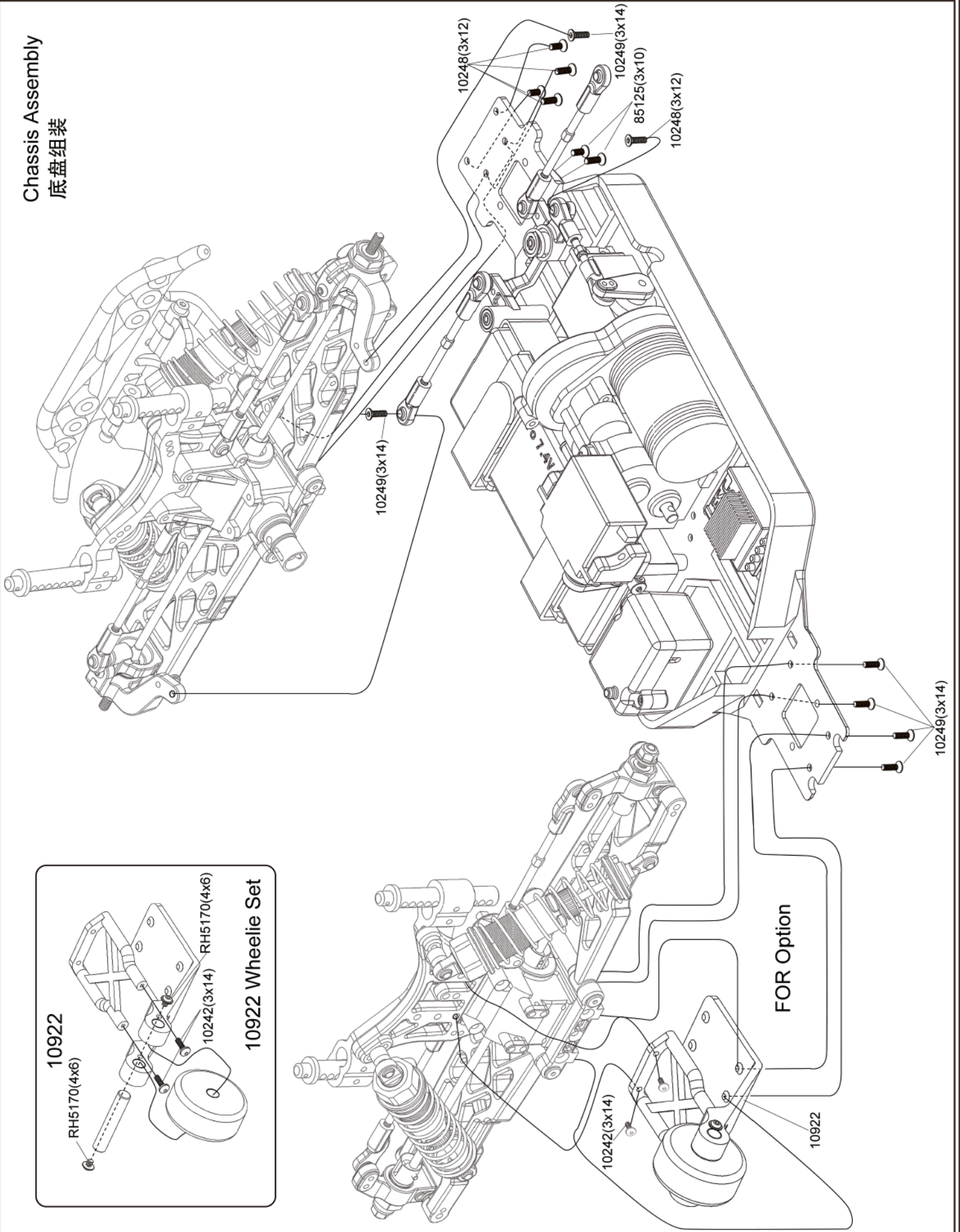


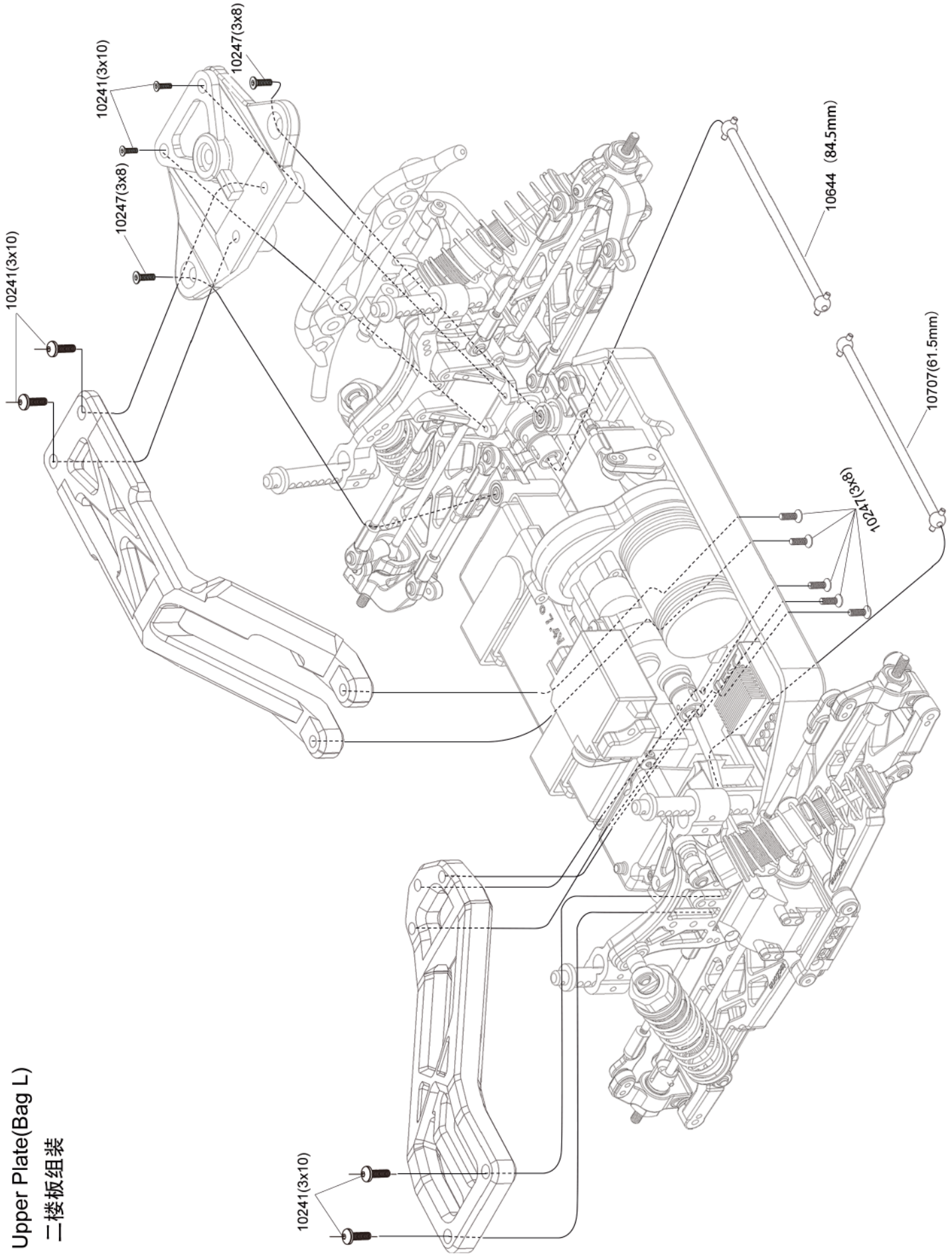
Servo Assembly(Bag L) 伺服器组

Battery(Bag L) 电池组

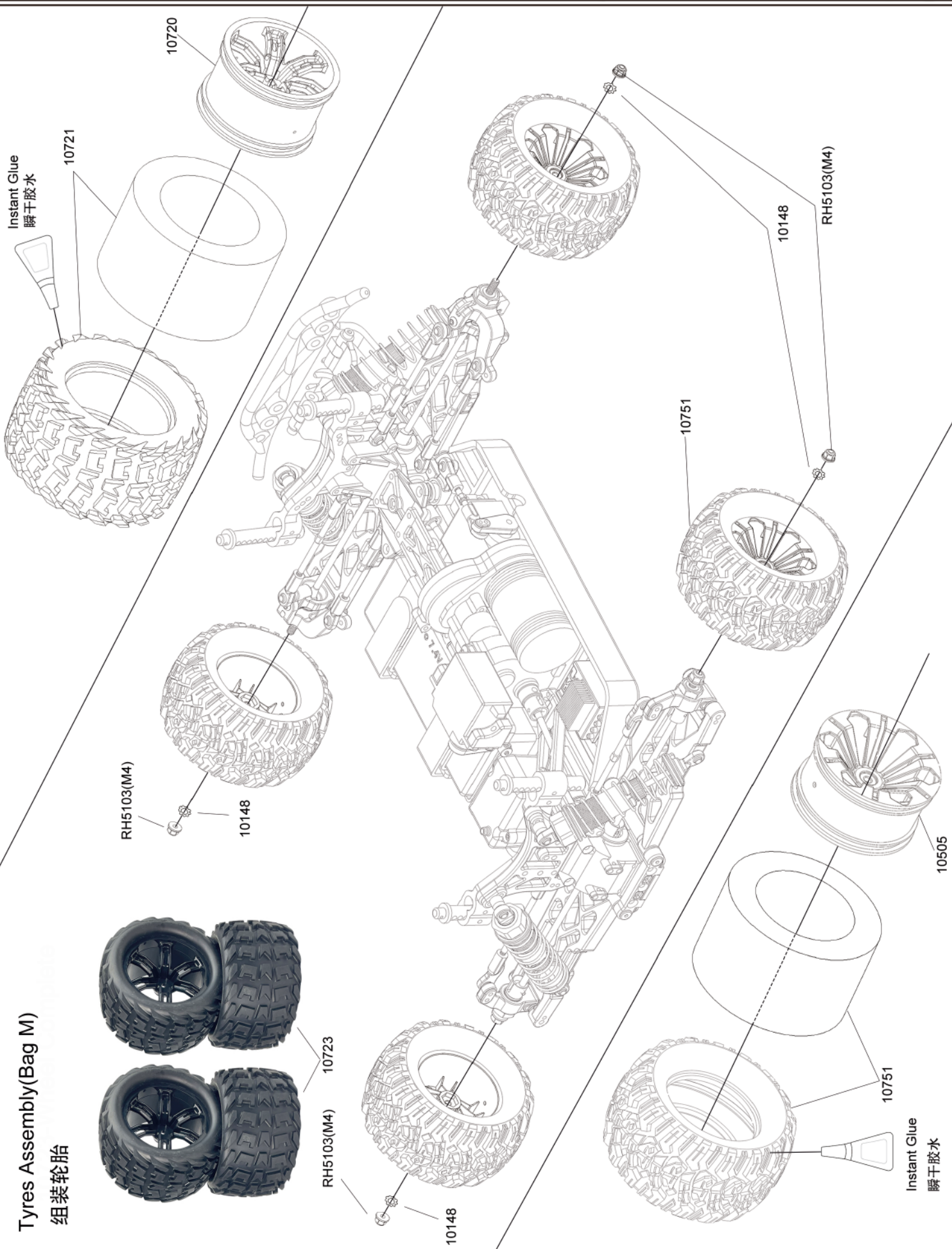


Chassis Assembly
底盘组装





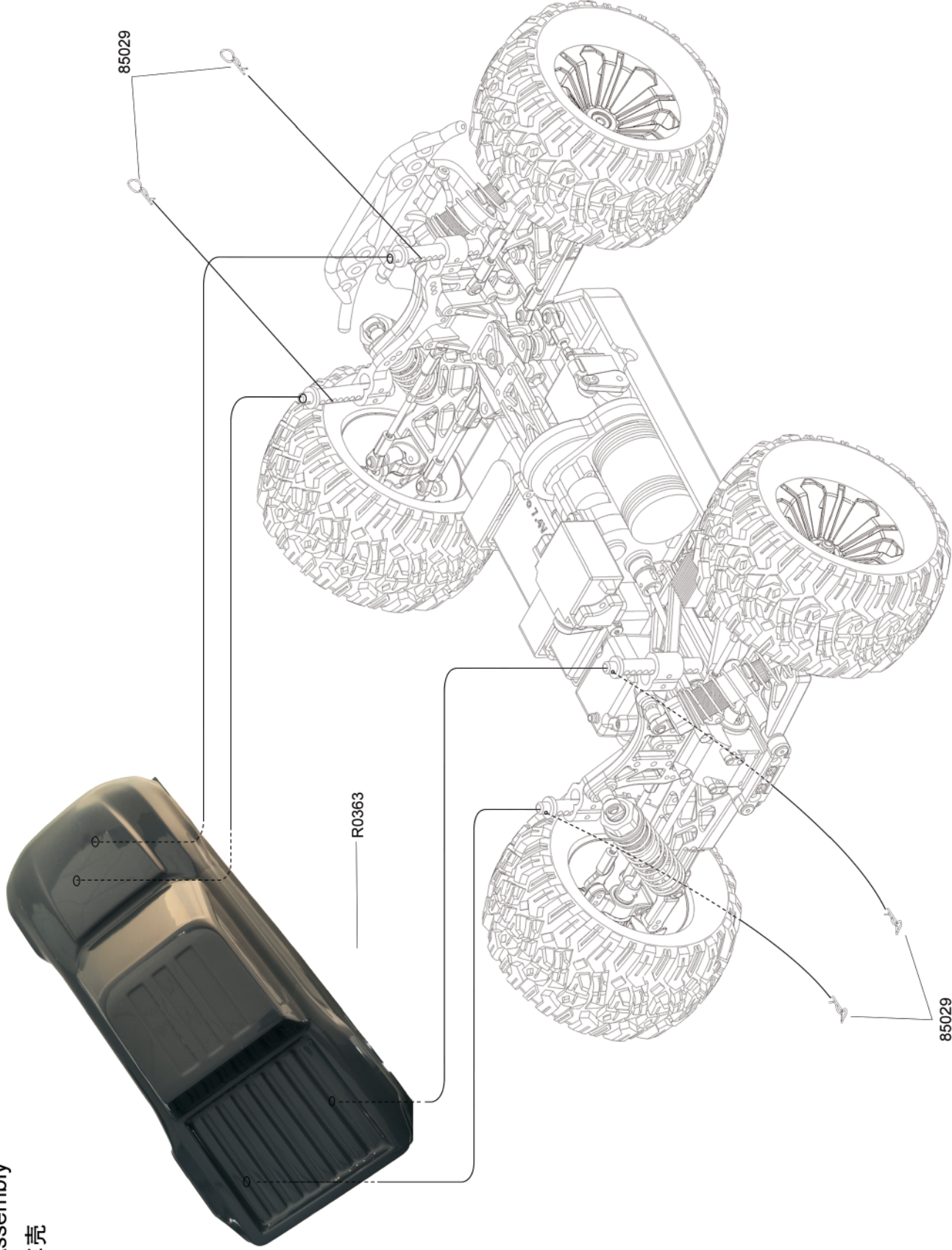
Upper Plate(Bag L)
二楼板组装









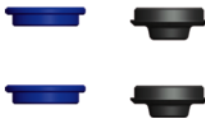



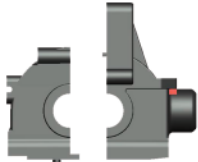


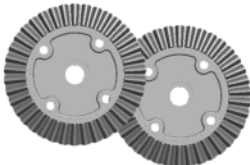
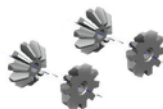
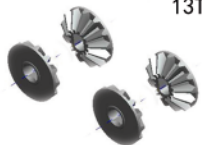
Tyres Assembly(Bag M)
组装轮胎




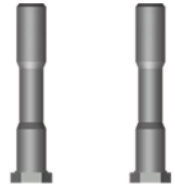

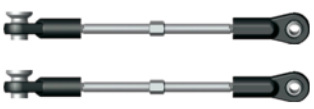

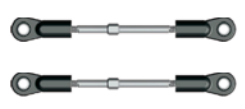





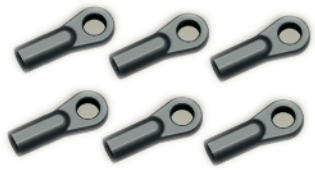


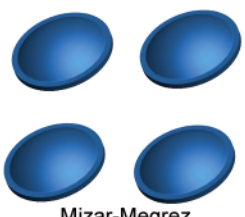


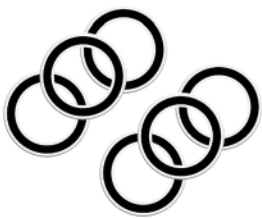




Body Assembly
组装车壳



| | | | |
|--|---|---|---|
| 10745-Chassis Plate(EP) 1pc  Mizar-Megrez | 10500-Front Lower Susp.Arms 2pcs  Mizar-Megrez | 10501-Rear Lower Susp.Arms 2pcs  Mizar-Megrez | 10746-Bulk Head Vorne .1 set  Mizar-Megrez |
| 10747-Front & Rear Brace  Mizar-Megrez | 10749-Body Posts .1 set  Mizar-Megrez | 10748-Body Posts Holder .1 set  Mizar-Megrez | 10750-Spur Gear.1 pc  Mizar-Megrez |
| 10751-Preassembled Tyres.2 sets  Mizar | 10758-Tyres & Foam Inserts.2 pcs  Mizar | 10505-Wheel Completed  Mizar | 10753-Two Sped Gear 23T  Mizar-Megrez |
| 10754-Two Sped Gear 28T  Mizar-Megrez | 10755-Two Sped Gear 32T  Mizar-Megrez | 10756-Two Sped Shift Holder  Mizar-Megrez | 10752-Two Sped Gear 19T  Mizar-Megrez |
| 13064-Speed Motor Plate  Mizar-Megrez | 13062-Gearbox Housing Set. 2 pcs  Mizar-Megrez | 13079-Speed Gear Cover  Mizar-Megrez | 13065-Speed Gear Cover  Mizar-Megrez |
| 13091-Front Bumper  Mizar | 10416-Pinion Gear 30T  Mizar-Megrez | 10439-Gear 13T  Mizar-Megrez | 13066-2-Dspeed Dhift Plate  Mizar-Megrez |

| | | | |
|---|--|--|--|
| 10101-Front Shock Tower 1 Pc  Mizar-Megrez | 10102-Rear Shock Tower 1 Pc  Mizar-Megrez | 10001BL-Front Shocks 2 Pcs  Mizar-Megrez | 10002BL-Rear Shocks 2 Pcs  Mizar-Megrez |
| 10103-Front Shock Spring 2pc  Mizar-Megrez | 10104-Rear Shock Spring 2pc  Mizar-Megrez | 10105-Front Shock Shaft & Piston Set 2sets  Mizar-Megrez | 10106-Rear Shock Shaft & Piston Set 2sets  Mizar-Megrez |
| 10107-Front Shock Body 2pc  Mizar-Megrez | 10108-Rear Shock body 2pc  Mizar-Megrez | 10109-Shock Upper Cap 2sets  Mizar-Megrez | 10110-Shock Lower Caps 2sets  Mizar-Megrez |
| 10111-Shock Lower holder & Adjust Ring 2sets  Mizar-Megrez | 10114-Steering Knuckle Arm 1set  Mizar-Megrez | 10115-Uprights 2pc  Mizar-Megrez | 10116-Front CVD 2pc  Mizar-Megrez |
| 10117-Rear Hub Carrier 2pc  Mizar-Megrez | 10123-Gearbox Housing Set 2pcs  Mizar-Megrez | 10124-Diff.Drive Gear W/Pin 2sets  Mizar-Megrez | 10125-Diff Case 2pcs  Mizar-Megrez |
| 10126-Diff Drive Spur Gear 2pcs  Mizar-Megrez | 10127-Diff Drive Gear 2pcs  Mizar-Megrez | 10128-Diff Bevel Gear S. 4pcs  Mizar-Megrez | 10129-Diff Bevel Gear B. 4pcs  Mizar-Megrez |

| | | | |
|--|--|--|---|
| <p>10130-Diff Pin 2pcs</p>  <p>Mizar-Megrez</p> | <p>10132-Diff Drive Cup 4pcs</p>  <p>Mizar-Megrez</p> | <p>10133-Center Coupler 3pcs</p>  <p>Mizar-Megrez</p> | <p>10136-Servo Saver Post 2pcs</p>  <p>Mizar-Megrez</p> |
| <p>10137-Steering Ackerman</p>  <p>Mizar-Megrez</p> | <p>10141-Front Upper Susp.Arm 2sets</p>  <p>Mizar-Megrez</p> | <p>10142-Rear Upper Susp.Arm 2sets</p>  <p>Mizar-Megrez</p> | <p>10143-Steering Arm 2sets</p>  <p>Mizar-Megrez</p> |
| <p>10144-Servo Linkage 1pc</p>  <p>Mizar-Megrez</p> | <p>10146-Antenna Pipe Set 2sets</p>  <p>Mizar-Megrez</p> | <p>10147-Servo Saver (EP) 1set</p>  <p>Mizar-Megrez</p> | <p>10310-Front Bumper 1pc</p>  <p>Megrez</p> |
| <p>10313-Wing Bracket 1set</p>  <p>Megrez</p> | <p>10214-Shock Ball End 6pcs</p>  <p>Mizar-Megrez</p> | <p>10215-Servo Link Ball End 6pcs</p>  <p>Mizar-Megrez</p> | <p>10216-Steering Linkage Ball End 6pcs</p>  <p>Mizar-Megrez</p> |
| <p>85034-Body Clip(Medium Size)6pcs</p>  <p>Mizar-Megrez</p> | <p>10225-Diff O-ring Seal 6pcs</p>  <p>Mizar-Megrez</p> | <p>10226-Shock Seal Cover 4pcs</p>  <p>Mizar-Megrez</p> | <p>10228-Pin \varnothing 2*10 6pcs</p>  <p>Mizar-Megrez</p> |
| <p>10230-Hinge Pins(long & short)2sets</p>  <p>Mizar-Megrez</p> | <p>10232-Ball Bearing 15*10*4 6pcs</p>  <p>Mizar-Megrez</p> | <p>10233-Ball Bearing 10*5*4 6pcs</p>  <p>Mizar-Megrez</p> | <p>10003-Diff Gearbox Set 1set</p>  <p>Mizar-Megrez</p> |

| | | | |
|--|--|--|---|
| <p>10153-Metal Bushing 8*5*2.5 6pc</p> <p>Mizar-Megrez</p> | <p>11068-C Clip 7.3mm 4pcs</p> <p>Mizar-Megrez</p> | <p>10237-E Clip-2.5mm 6pc</p> <p>Mizar-Megrez</p> | <p>10224-Shock O-ring(Lower) 6pcs</p> <p>Mizar-Megrez</p> |
| <p>10220-Ball A 6pcs</p> <p>Mizar-Megrez</p> | <p>10221-Ball B 6pcs</p> <p>Mizar-Megrez</p> | <p>10222-Ball C 6pcs</p> <p>Mizar-Megrez</p> | <p>10238-Round Head Self Tapping Hex Screw 2x10 6pc</p> <p>Mizar-Megrez</p> |
| <p>10240-Button Head Hex Screw 3x8 6pc</p> <p>Mizar-Megrez</p> | <p>10241-Button Head Hex Screw 3x10 6pc</p> <p>Mizar-Megrez</p> | <p>10242-Button Head Hex Screw 3x14 6pc</p> <p>Mizar-Megrez</p> | <p>10247-Flat Head Hex 3x8 6pc</p> <p>Mizar-Megrez</p> |
| <p>10248-Flat Head Hex Screw 3x12 6pc</p> <p>Mizar-Megrez</p> | <p>10249-Flat Head Hex Screw 3x14 6pc</p> <p>Mizar-Megrez</p> | <p>10251-Flat Head Hex Screw 3x36 6pc</p> <p>Mizar-Megrez</p> | <p>10256-Ring Self Tapping Screw 3x6 6pc</p> <p>Mizar-Megrez</p> |
| <p>10385-Cap Head Hex Screw 3x20 6pc</p> <p>Mizar-Megrez</p> | <p>RH5117-Set Screw 4x4 6pc</p> <p>Mizar-Megrez</p> | <p>RH5118-Button Head Hex Screw 4x10 6pc</p> <p>Mizar-Megrez</p> | <p>85125-Flat Head Hex Screw 3x10 8p</p> <p>Mizar-Megrez</p> |
| <p>85127-Flat Head Hex Screw 3x18 3pc</p> <p>Mizar-Megrez</p> | <p>85144-Ring Self Tapping Screw 3x4 4pc</p> <p>Mizar-Megrez</p> | <p>85173-Flat Hex Screw 4x10 6pc</p> <p>Mizar-Megrez</p> | <p>85175-Button Head Hex Tapping Screws 3x10 8pc</p> <p>Mizar-Megrez</p> |

| | | | |
|--|---|--|---|
| <p>85182-Cap Head Hex Screw 3x10 6pc</p> <p>Mizar-Megrez</p> | <p>85184-Button Head Hex Screw 3x12 6pc</p> <p>Mizar-Megrez</p> | <p>RH5562-Cap Head Hex Screw 3x8 6pc</p> <p>Mizar-Megrez</p> | <p>85137-Flat Head Self Tapping Screw Set 3x10 12pc</p> <p>Mizar-Megrez</p> |
| <p>85285-RX Case 1set</p> <p>Mizar-Megrez</p> | <p>10734-Servo Mount 2pcs</p> <p>Mizar-Megrez</p> | <p>85284-Battery Case 1pc</p> <p>Mizar-Megrez</p> | <p>85286 - Velcro Tape 2pcs</p> <p>Mizar-Megrez</p> |
| <p>RH5102-Nylon Lock Nut M3 6pc</p> <p>Mizar-Megrez</p> | <p>RH5103-Nylon Lock Nut-M4 6pc</p> <p>Mizar-Megrez</p> | <p>10714-Washer 6.9x3.5x1.1 6pcs</p> <p>Mizar-Megrez</p> | <p>10253-1/10 Charger CE 1pc</p> <p>Mizar-Megrez</p> |
| <p>H0067-6kg Servo 1pc</p> <p>Mizar-Megrez</p> | <p>H0079-B3 Lipo Charger</p> <p>Mizar-Megrez</p> | <p>H0050-400A ESC 1pc</p> <p>Mizar-Megrez</p> | <p>H0142-HW 60 Brushless ESC</p> <p>Mizar-Megrez</p> |
| <p>H0029-550-15T</p> <p>Mizar-Megrez</p> | <p>H0151 3650-3000KV</p> <p>Mizar-Megrez</p> | <p>H0030-7.2v1800mAh N1-MH Battery 1pc</p> <p>Mizar-Megrez</p> | <p>85274-7.4V -3250mAh Battery 1pc</p> <p>Mizar-Megrez</p> |
| <p>H0099-Motor Cooling Fan With Heatsink</p> <p>Mizar-Megrez</p> | <p>H0011-3kg Servo 1pc</p> <p>Mizar-Megrez</p> | <p>H0138-MG4 Transmitter 1pc</p> <p>Mizar-Megrez</p> | |

| | | | |
|--|--|--|--|
| <p>10970-Rear Susp.Holders (Alloy) 1Set</p> <p>Mizar-Megrez</p> | <p>10969-Front Susp.Holders (Alloy) 1Set</p> <p>Mizar-Megrez</p> | <p>13068-2-Speed Servo Saver Set</p> <p>Mizar-Megrez</p> | <p>10644-84.5x5.8-Central Drive Shaft F. 1pc</p> <p>Mizar-Megrez</p> |
| <p>10707-61.5x5.8-Central Drive Shaft R. 1pc</p> <p>Mizar-Megrez</p> | <p>13067-2-Speed Shaft Set</p> <p>Mizar-Megrez</p> | <p>10217-Rear Upper Link Ball End 6pcs</p> <p>Mizar-Megrez</p> | <p>10629-Rear Wing 1pc</p> <p>Megrez</p> |
| <p>10145-Wheel Hub 4pcs</p> <p>Mizar-Megrez</p> | <p>10575-Wing Bracket 2pcs</p> <p>Megrez</p> | <p>10720-Rims 2pcs</p> <p>Megrez</p> | <p>10721-Tyre/Foam Insert 2pcs</p> <p>Megrez</p> |
| <p>10723-Wheel 2pcs</p> <p>Megrez</p> | <p>13098-2-Speed Gearbox Set W/Motor & Servo</p> <p>Mizar-Megrez</p> | <p>13099-2-Speed Gearbox Set W/O Motor & Servo</p> <p>Mizar-Megrez</p> | <p>10922-Wheelie Set</p> <p>Mizar-Megrez</p> |
| <p>R0363-Body Shell</p> <p>Mizar</p> | <p>R0364-Body Shell</p> <p>Mizar</p> | <p>R0365-Body Shell</p> <p>Megrez</p> | |
| | | | |

| | | | |
|--|---|---|--|
| <p>10902-Front Shock Plate (Carbon)1Set</p> <p>Mizar-Megrez</p> | <p>10903-Rear Shock Plate (Carbon)1Set</p> <p>Mizar-Megrez</p> | <p>10907BL-Front Shocks(AL) 2pc</p> <p>Mizar-Megrez</p> | <p>10908BL-Rear Shocks(AL) 2pc</p> <p>Mizar-Megrez</p> |
| <p>10909-Front Lower Susp. Arm (AL) 2pc</p> <p>Mizar-Megrez</p> | <p>10910-Rear Lower Susp. Arm (AL) 2pc</p> <p>Mizar-Megrez</p> | <p>10911-Steering Ackerman (AL) 1pc</p> <p>Mizar-Megrez</p> | <p>10912-Front Susp. Holders (AL) 1set</p> <p>Mizar-Megrez</p> |
| <p>10914-Rear Susp. Holders (AL) 1set</p> <p>Mizar-Megrez</p> | <p>10915-Rear Hub Carrier (AL) 2pc</p> <p>Mizar-Megrez</p> | <p>10917-Steering Knuckle Arm (AL) 2set</p> <p>Mizar-Megrez</p> | <p>10918-Wheel Hub (AL) 4pcs</p> <p>Mizar-Megrez</p> |
| <p>10923-Alum Steering Arm 2pc</p> <p>Mizar-Megrez</p> | <p>10924-Alum Knuckle Arm 2pc</p> <p>Mizar-Megrez</p> | <p>10210-Sway Bar 2Sets</p> <p>Mizar-Megrez</p> | <p>11089-Aluminum Front & Rear Brace</p> <p>Mizar-Megrez</p> |
| <p>11090-Aluminum Bulk Head Vorne .1 set</p> <p>Mizar-Megrez</p> | <p>11091-Aluminum Chassis Plate(EP) 1pc</p> <p>Mizar-Megrez</p> | | |
| | | | |

